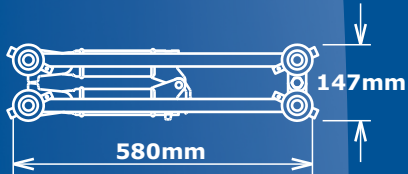
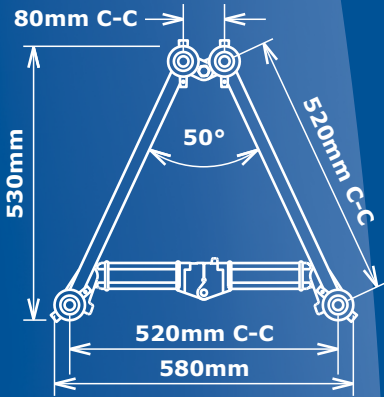


# F52 FOLDING TRUSS



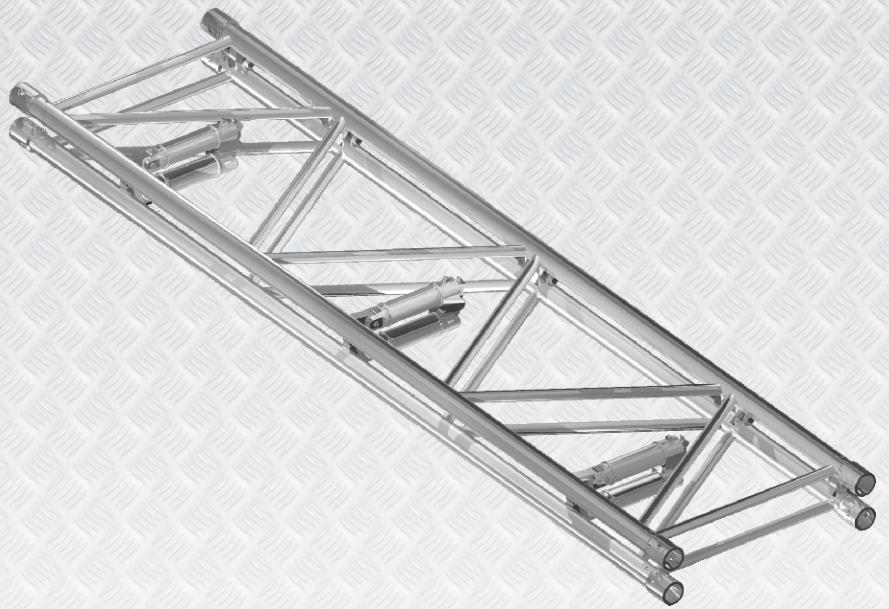
### Folding Truss Lengths

CODE	LENGTH	WEIGHT
GT F52L240	2.4m	34.6kg
GT F52L160	1.6m	25.0kg
GT F52L080	0.8m	16.0kg
GT F52L060	0.6m	14.7kg

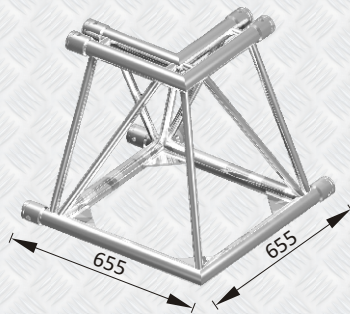


**Design Quintessence Pty Ltd**

Unit 25 7-9 Percy Street Auburn NSW Australia  
 Tel (02) 9649 2266  
 Fax (02) 9649 2200  
 email info@dq.com.au

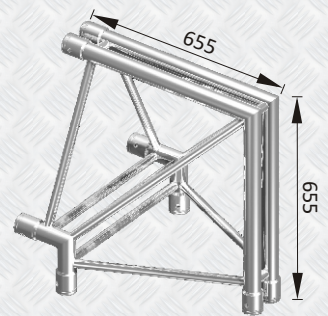


**GT F52J21**  
HORIZONTAL 90° CORNER



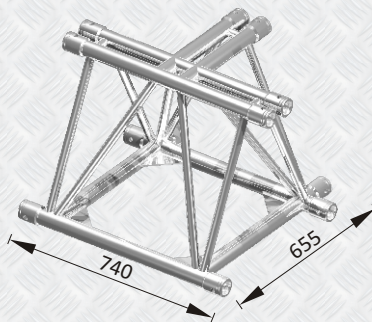
16.5kg

**GT F52J24**  
VERTICAL 90° CORNER (APEX OUTSIDE)



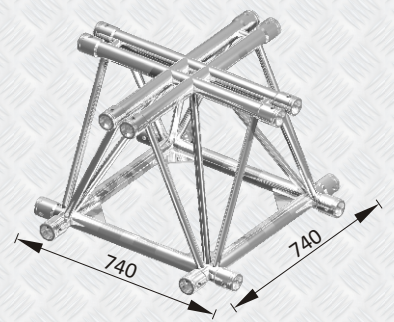
16.3kg

**GT F52J35**  
HORIZONTAL 'T' JUNCTION



21.0kg

**GT F52J41**  
HORIZONTAL 'X' JUNCTION



23.2kg

### F52 TÜV CERTIFIED LOAD RATINGS\*\*

SPAN :	10m	12m	14m	16m	18m	20m	22m	24m
MAX DISTRIBUTED LOAD	294kg/m	201kg/m	145kg/m	109kg/m	84kg/m	66kg/m	53kg/m	43kg/m
MAX CENTRE POINT LOAD	772kg	721kg	677kg	637kg	602kg	571kg	543kg	514kg
MAX 3 POINTS LOAD	691kg	637kg	591kg	552kg	517kg	486kg	436kg	385kg
MAX 4 POINTS LOAD	516kg	463kg	420kg	361kg	313kg	271kg	241kg	213kg
MAX 5 POINTS LOAD	571kg	517kg	472kg	435kg	378kg	330kg	291kg	257kg

\*\* NOTE: LOAD TABLES ARE AN EXCERPT ONLY FROM A COMPLETE STRUCTURAL CERTIFICATE AND MUST BE INTERPRETED IN CONTEXT WITH THE ENTIRE CERTIFICATE AND ANY CONDITIONS CONTAINED THEREIN. FOR FULL CERTIFICATES PLEASE VISIT OUR WEBSITE. GLOBAL TRUSS IS INDEPENDENTLY CERTIFIED AND THE LOAD RATINGS DO NOT APPLY TO OTHER BRANDS OF TRUSS. INTERCONNECTION BETWEEN GLOBAL TRUSS AND OTHER BRANDS VOIDS THE STRUCTURAL CERTIFICATION.

w w w . d q . c o m . a u