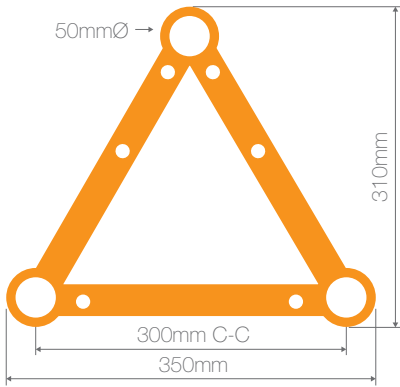


A33 Tri Truss



TECHNICAL SPECIFICATIONS

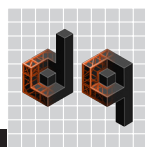
Chord Material	EN AW 6082 T6
End Bracing Material	EN AW 6082 T6
Diagonal Bracing Material	EN AW 6082 T6
Bolt Material	8.8 Grade
Spigot Tube Material	EN AW 6082 T6
Chord Dimension	50mmØ x 3mm
End Bracing (RHS)	32mmØ x 32mmØ x 6mm
Diagonal Bracing Dimension	20mmØ x 2mm
Bolt	4" x 1/2" Hexagonal
Connectors included	4 x 1/2" x 4" Bolts, Nuts & Washers
Spigots included	3 x 42mmØ Tube Spigots

LOAD TABLE

SPAN (m)	CPL (kg)	UDL (kg/m)
0.5	763	765
1.0	762	765
1.5	761	754
2.0	760	754
2.5	758	754
3.0	757	596
3.5	756	437
4.0	667	333
5.0	529	212
6.0	436	146
7.0	370	106
8.0	319	80
9.0	279	62
10.0	246	49
11.0	219	40
12.0	197	33

Load tables indicate load capacities only and need to be considered in the context of complete engineering certification available at dq.com.au

Full engineering report available upon request.



A33 Tri Truss



LINEAR

PRODUCT CODE		WEIGHT
GT A33L050	A33 Tri 0.5m Linear Truss	6.5kg
GT A33L100	A33 Tri 1.0m Linear Truss	8.6kg
GT A33L150	A33 Tri 1.5m Linear Truss	10.6kg
GT A33L200	A33 Tri 2.0m Linear Truss	12.9kg
GT A33L250	A33 Tri 2.5m Linear Truss	15.4kg
GT A33L300	A33 Tri 3.0m Linear Truss	17.2kg
GT A33L350	A33 Tri 3.5m Linear Truss	18.5kg
GT A33L400	A33 Tri 4.0m Linear Truss	20.0kg
GT A33L450	A33 Tri 4.5m Linear Truss	21.5kg
GT A33L500	A33 Tri 5.0m Linear Truss	23.0kg

Custom lengths can be manufactured to order.

RADIALS

PRODUCT CODE	RADIAL SIZE
GT A33R100-90	A33 Tri 1.0mR (2.0mØ) 90° Radial Truss (4 parts to a Circle)
GT A33R150-90	A33 Tri 1.5mR (3.0mØ) 90° Radial Truss (4 parts to a Circle)
GT A33R200-90	A33 Tri 2.0mR (4.0mØ) 90° Radial Truss (4 parts to a Circle)
GT A33R250-90	A33 Tri 2.5mR (5.0mØ) 90° Radial Truss (4 parts to a Circle)
GT A33R300-60	A33 Tri 3.0mR (6.0mØ) 60° Radial Truss (6 parts to a Circle)
GT A33R500-30	A33 Tri 5.0mR (10.0mØ) 30° Radial Truss (12 parts to a Circle)

Custom radials can be manufactured to order.