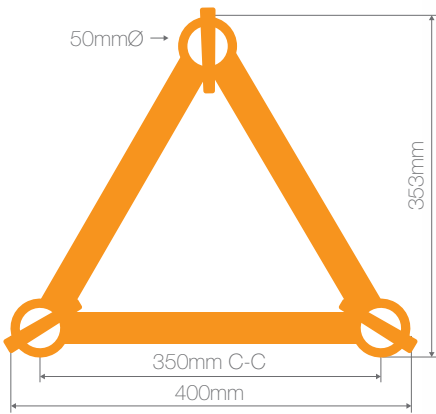
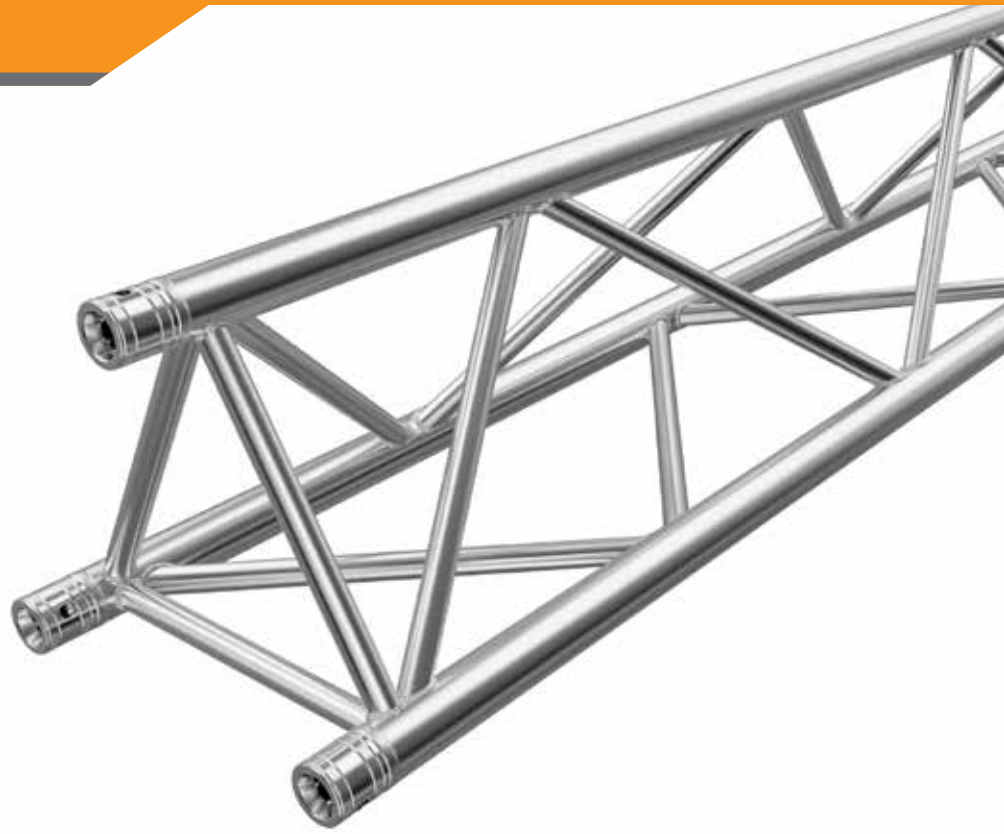


# F43P Tri Truss



## TECHNICAL SPECIFICATIONS

Chord Material	EN AW 6082 T6
Bracing Material	EN AW 6082 T6
End Socket Material	EN AW 6082 T6
Conical Spigot Material	EN AW 2011
Steel Pin Material	8.8 Grade
Chord Dimension	50mmØ x 3mm
Bracing Dimension	25mmØ x 3mm
Connector Included	3 x Conical Spigots, Pins & R-Clips

## LOAD TABLE

SPAN (m)	CPL (kg)	UDL (kg/m)
4	877	410
5	721	322
6	609	224
7	525	164
8	459	124
9	407	97
10	363	77
11	326	63
12	294	52
13	267	43
14	243	36
15	221	31
16	202	26
17	184	23
18	168	19
19	153	17
20	139	14

Load tables indicate load capacities only and need to be considered in the context of complete engineering certification available at [dq.com.au](http://dq.com.au)



**TÜV Nord Certified**  
This Global Truss product is fully certified by TÜV Nord and exceeds the applicable standards.



# F43P Tri Truss



## LINEAR

PRODUCT CODE		WEIGHT
<b>GT F43PL050</b>	F43P Tri 0.5m Linear Truss with Spigots, Pins & R-Clips	1.7kg
<b>GT F43PL100</b>	F43P Tri 1.0m Linear Truss with Spigots, Pins & R-Clips	4.4kg
<b>GT F43PL150</b>	F43P Tri 1.5m Linear Truss with Spigots, Pins & R-Clips	5.4kg
<b>GT F43PL200</b>	F43P Tri 2.0m Linear Truss with Spigots, Pins & R-Clips	7.2kg
<b>GT F43PL250</b>	F43P Tri 2.5m Linear Truss with Spigots, Pins & R-Clips	9.2kg
<b>GT F43PL300</b>	F43P Tri 3.0m Linear Truss with Spigots, Pins & R-Clips	10.7kg
<b>GT F43PL350</b>	F43P Tri 3.5m Linear Truss with Spigots, Pins & R-Clips	12.5kg
<b>GT F43PL400</b>	F43P Tri 4.0m Linear Truss with Spigots, Pins & R-Clips	14.2kg
<b>GT F43PL450</b>	F43P Tri 4.5m Linear Truss with Spigots, Pins & R-Clips	16.2kg
<b>GT F43PL500</b>	F43P Tri 5.0m Linear Truss with Spigots, Pins & R-Clips	17.9kg

Custom lengths can be manufactured to order.

## RADIALS

PRODUCT CODE		RADIAL SIZE
<b>GT F43PR100-180</b>	F43P 1.0mR (2.0mØ) 180° Radial Truss (2 parts to a Circle)	
<b>GT F43PR100-90</b>	F43P Tri 1.0mR (2.0mØ) 90° Radial Truss (4 parts to a Circle)	
<b>GT F43PR150-180</b>	F43P Tri 1.5mR (3.0mØ) 180° Radial Truss (2 parts to a Circle)	
<b>GT F43PR150-90</b>	F43P Tri 1.5mR (3.0mØ) 90° Radial Truss (4 Parts to a Circle)	
<b>GT F43PR200-90</b>	F43P Tri 2.0mR (4.0mØ) 90° Radial Truss (4 Parts to a Circle)	
<b>GT F43PR250-45</b>	F43P Tri 2.5mR (5.0mØ) 45° Radial Truss (8 Parts to a Circle)	
<b>GT F43PR250-90</b>	F43P Tri 2.5mR (5.0mØ) 90° Radial Truss (4 Parts to a Circle)	
<b>GT F43PR300-45</b>	F43P Tri 3.0mR (6.0mØ) 45° Radial Truss (8 Parts to a Circle)	
<b>GT F43PR300-60</b>	F43P Tri 3.0mR (6.0mØ) 60° Radial Truss (6 parts to a Circle)	
<b>GT F43PR350-45</b>	F43P Tri 3.5mR (7.0mØ) 45° Radial Truss (8 Parts to a Circle)	
<b>GT F43PR400-45</b>	F43P Tri 4.0mR (8.0mØ) 45° Radial Truss (8 parts to a Circle)	
<b>GT F43PR450-45</b>	F43P Tri 4.5mR (9.0mØ) 45° Radial Truss (8 parts to a Circle)	
<b>GT F43PR500-30</b>	F43P Tri 5.0mR (10.0mØ) 30° Radial Truss (12 parts to a Circle)	
<b>GT F43PR550-30</b>	F43P Tri 5.5mR (11.0mØ) 30° Radial Truss (12 Parts to a Circle)	
<b>GT F43PR600-30</b>	F43P Tri 6.0mR (12.0mØ) 30° Radial Truss (12 Parts to a Circle)	
<b>GT F43PR650-30</b>	F43P Tri 6.5mR (13.0mØ) 30° Radial Truss (12 Parts to a Circle)	
<b>GT F43PR700-30</b>	F43P Tri 7.0mR (14.0mØ) 30° Radial Truss (12 parts to a Circle)	
<b>GT F43PR750-30</b>	F43P Tri 7.5mR (15.0mØ) 30° Radial Truss (12 parts to a Circle)	
<b>GT F43PR800-15</b>	F43P Tri 8.0mR (16.0mØ) 15° Radial Truss (24 Parts to a Circle)	

Custom radials can be manufactured to order.

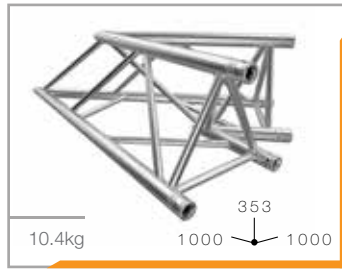




10.3kg

**GT F43-44PJ0-180**

0-180° Variable Hinged Junction



10.4kg

**GT F43PJ19**

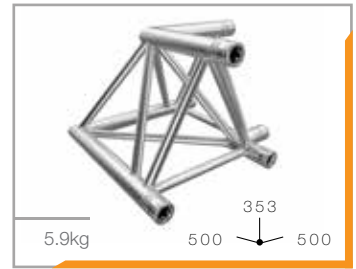
2 Way 45° Horizontal Corner



10.8kg

**GT F43PJ20**

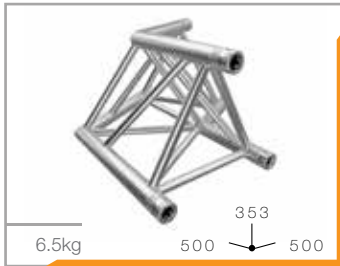
2 Way 60° Horizontal Corner



5.9kg

**GT F43PJ21**

2 Way 90° Horizontal Corner



6.5kg

**GT F43PJ22**

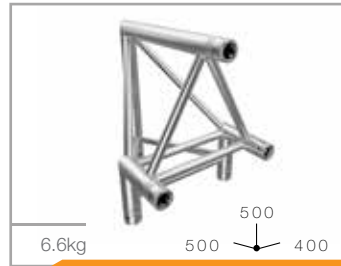
2 Way 120° Horizontal Corner



6.7kg

**GT F43PJ23**

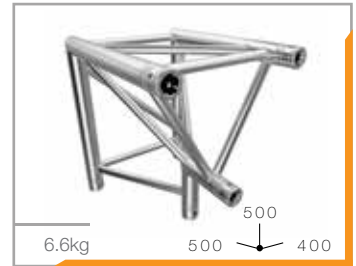
2 Way 135° Horizontal Corner



6.6kg

**GT F43PJ24**

2 Way 90° Vertical Corner (Apex Up)



6.6kg

**GT F43PJ25**

2 Way 90° Vertical Corner (Apex Down)



8.1kg

**GT F43PJ33**

3 Way 90° Corner (Apex Down) to Vertical Junction (Right)



8.1kg

**GT F43PJ34**

3 Way 90° Corner (Apex Down) to Vertical Junction (Left)



7.9kg

**GT F43PJ35**

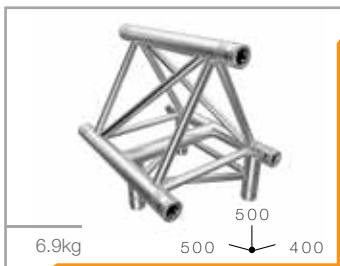
3 Way Vertical T-Junction (Apex Down)



6.9kg

**GT F43PJ36**

3 Way Horizontal T-Junction



6.9kg

**GT F43PJ37**

3 Way Vertical T-Junction (Apex Up)



7.4kg

**GT F43PJ38**

3 Way Vertical T-Junction (Apex Down)



7.5kg

**GT F43PJ41**

4 Way Horizontal X-Junction



9.1kg

**GT F43PJ42**

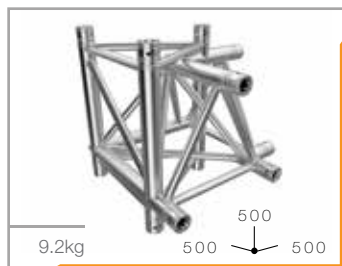
4 Way Horizontal T-(Apex Down) to Vertical Junction



9.4kg

**GT F43PJ44**

4 Way 90° Corner to Vertical Apex Up/Down (Right)



9.2kg

**GT F43PJ45**

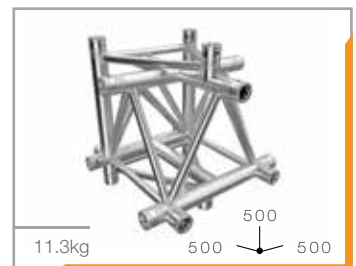
4 Way 90° Corner to Vertical Apex Up/Down (Left)



10.1kg

**GT F43PJ53**

5 Way Horizontal X- to Vertical Junction



11.3kg

**GT F43PJ61**

6 Way Horizontal Truss X-Junction to Vertical Up & Down

