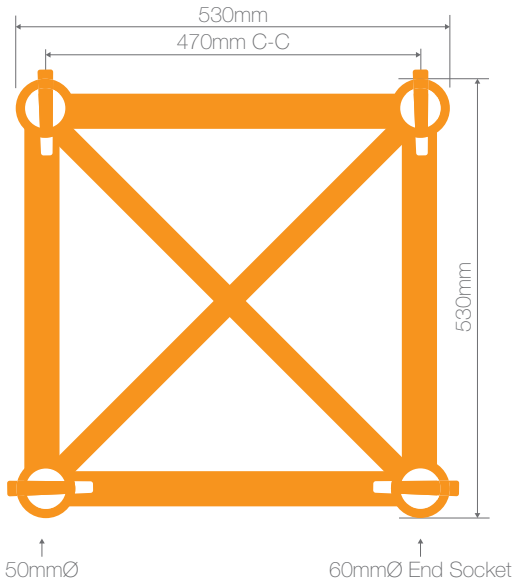


F54 Square Truss



Diagonal Bracing



TECHNICAL SPECIFICATIONS

Chord Material	EN AW 6082 T6
Bracing Material	EN AW 6082 T6
End Socket Material	EN AW 6082 T6
Conical Connector Material	EN AW 2011
Steel Pin Material	8.8 Grade
Chord Dimension	50mmØ x 4mm
Bracing Dimension	25mmØ x 3mm
End Socket	60mmØ Overall Diameter
Connectors Included	4 x Conical Spigots, Pins & R-Clips

LOAD TABLE

SPAN (m)	UDL (kg/m)	CPL (kg)	THIRD POINT	FOURTH POINT	FIFTH POINT
4.0	1,255	2,641	1,660	1,214	996
5.0	1,001	2,290	1,482	1,086	908
6.0	783	2,015	1,330	996	836
7.0	601	1,794	1,203	919	779
8.0	472	1,612	1,095	851	706
9.0	378	1,461	1,002	792	637
10.0	308	1,332	923	738	580
11.0	255	1,221	852	681	530
12.0	214	1,124	790	623	487
13.0	182	1,039	735	573	451
14.0	155	963	685	528	417
16.0	116	834	599	455	361
18.0	89	728	527	394	315
20.0	69	638	457	337	270
22.0	54	561	405	295	237
24.0	43	493	359	258	209

Load tables indicate load capacities only and need to be considered in the context of complete engineering certification available at dq.com.au

Full engineering report available upon request.



TÜV Nord Certified
This Global Truss product is fully certified by TÜV Nord and exceeds the applicable standards.



Global Truss ToolBox App
Load table(s) also available on the Global Truss ToolBox app.
Download it now on your **iPhone** or **Android!**



Available on the **App Store**



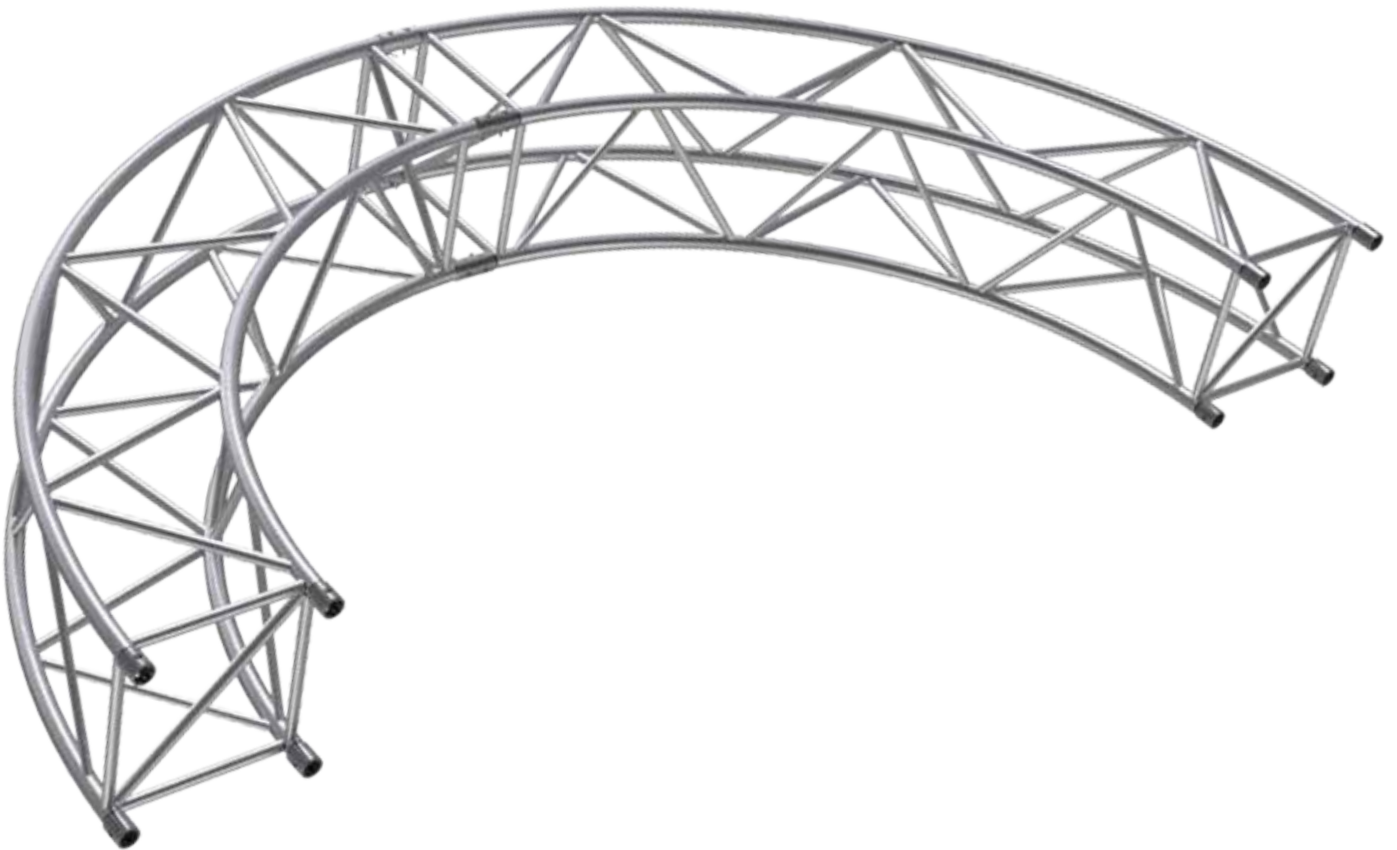
ANDROID APP ON **Google play**



DQ.COM.AU

DESIGN QUINTESSENCE | SYD (02) 9649 2266 • MELB (03) 9645 2266 • BRIS 07 3036 3666 • PER 0419 898 999 | EMAIL INFO@DQ.COM.AU

F54 Square Truss



LINEAR

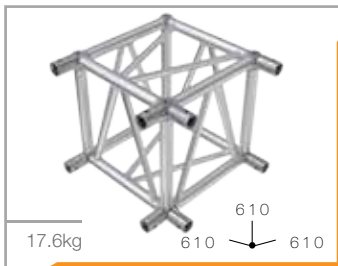
PRODUCT CODE		WEIGHT
GT F54L050-DB	F54 Square 0.5m Linear Truss with Diagonal Bracing	15.3kg
GT F54L100-DB	F54 Square 1.0m Linear Truss with Diagonal Bracing	20.7kg
GT F54L150-DB	F54 Square 1.5m Linear Truss with Diagonal Bracing	26.1kg
GT F54L250-DB	F54 Square 2.5m Linear Truss with Diagonal Bracing	37.6kg
GT F54L300-DB	F54 Square 3.0m Linear Truss with Diagonal Bracing	46.0kg
GT F54L350-DB	F54 Square 3.5m Linear Truss with Diagonal Bracing	53.8kg
GT F54L400-DB	F54 Square 4.0m Linear Truss with Diagonal Bracing	58.9kg
GT F54L450-DB	F54 Square 4.5m Linear Truss with Diagonal Bracing	66.5kg
GT F54L500-DB	F54 Square 5.0m Linear Truss with Diagonal Bracing	76.8kg

Custom lengths can be manufactured to order.

RADIALS

PRODUCT CODE		RADIAL SIZE
GT F54R150-90	F54 1.5mR (3.0mØ) 90° Radial Truss (4 parts to a Circle)	
GT F54R200-90	F54 2.0mR (4.0mØ) 90° Radial Truss (4 parts to a Circle)	
GT F54R300-45	F54 3.0mR (6.0mØ) 45° Radial Truss (8 parts to a Circle)	
GT F54R400-45	F54 4.0mR (8.0mØ) 45° Radial Truss (8 parts to a Circle)	
GT F54R450-45	F54 4.5mR (9.0mØ) 45° Radial Truss (8 parts to a Circle)	
GT F54R500-45	F54 5.0mR (10.0mØ) 45° Radial Truss (8 parts to a Circle)	
GT F54R600-30	F54 6.0mR (12.0mØ) 30° Radial Truss (12 parts to a Circle)	
GT F54R750-30	F54 7.5mR (15.0mØ) 30° Radial Truss (12 parts to a Circle)	

Custom radials can be manufactured to order.



GT F54JBOX

6 Way Cube Junction with 8 Socket Connectors & Bolts for 2 Faces



GT F54J21

F54 2 Way 90° Corner



GT F54J35

3 Way T-Junction



GT F54J41

4 Way X-Junction