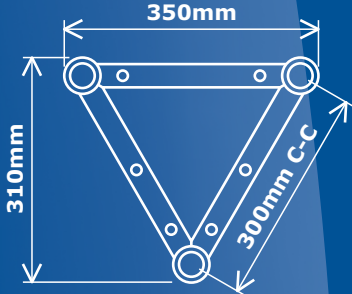


A33 TRI TRUSS



Linear Truss Lengths

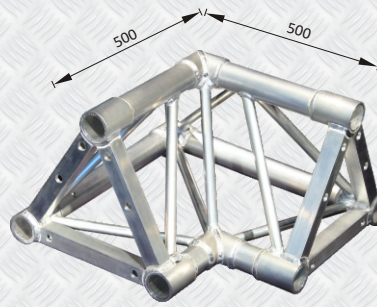
CODE	LENGTH	WEIGHT
GT A33L300	3.0m	18.1kg
GT A33L250	2.5m	15.8kg
GT A33L200	2.0m	13.4kg
GT A33L150	1.5m	11.4kg
GT A33L100	1.0m	9.0kg
GT A33L050	0.5m	6.9kg



Design Quintessence Pty Ltd

Unit 25 7-9 Percy Street Auburn NSW Australia
 Tel (02) 9649 2266
 Fax (02) 9649 2200
 email info@dq.com.au

GT A33J21
90° HORIZONTAL CORNER



7.9kg

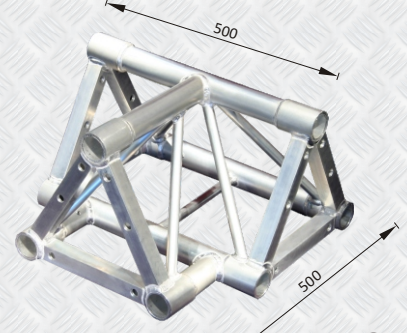


GT A33J25
VERTICAL 90° CORNER (APEX INSIDE)



8.6kg

GT A33J36
3 WAY HORIZONTAL 'T' JUNCTION



9.8kg



COMPATIBILITY

100% COMPATIBLE WITH OTHER BRANDS OF 300mm C-C TRI TRUSS



A33 LOAD RATINGS** (APEX DOWN-WITH BOLTS & SPIGOTS)

SPAN	MAXIMUM CPL	MAX DISTRIBUTED LOAD
3m	971kg	647kg/m
6m	475kg	158kg/m
9m	305kg	55kg/m
12m	149kg	20kg/m

A33 LOAD RATINGS** (APEX DOWN-WITH SPIGOTS ONLY)

SPAN	MAXIMUM CPL	MAX DISTRIBUTED LOAD
3m	628kg	419kg/m
6m	304kg	101kg/m
9m	191kg	42kg/m
12m	131kg	20kg/m

** NOTE: LOAD TABLES ARE AN EXCERPT ONLY FROM A COMPLETE STRUCTURAL CERTIFICATE AND MUST BE INTERPRETED IN CONTEXT WITH THE ENTIRE CERTIFICATE AND ANY CONDITIONS CONTAINED THEREIN. FOR FULL CERTIFICATES PLEASE VISIT OUR WEBSITE. GLOBAL TRUSS IS INDEPENDENTLY CERTIFIED AND THE LOAD RATINGS DO NOT APPLY TO OTHER BRANDS OF TRUSS. INTERCONNECTION BETWEEN GLOBAL TRUSS AND OTHER BRANDS VOIDS THE STRUCTURAL CERTIFICATION.

