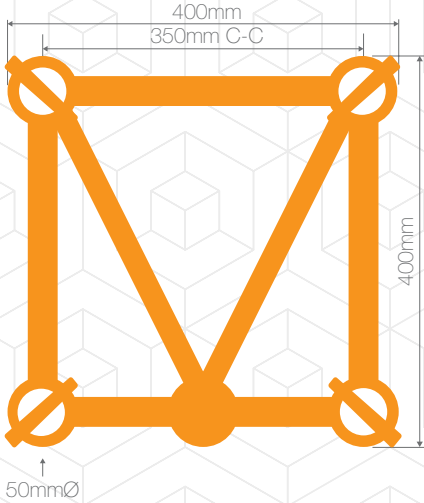


F45

5 Chord Truss



TECHNICAL SPECIFICATIONS

PRODUCT CODE	
Chord Material	EN AW 6082 T6
Bracing Material	EN AW 6082 T6
End Socket Material	EN AW 6082 T6
Conical Spigot Material	EN AW 6011
Steel Pin Material	8.8 Grade
Chord Dimension	50mmØ x 4mm
Bracing Dimension	25mmØ x 3mm
Connectors Included	4 x Conical Spigots, Pins & R-Clips

LINEAR

PRODUCT CODE		WEIGHT
GT F45PL100	F45P 5-Chord Square 1.0m Linear Truss	14.5kg
GT F45PL150	F45P 5-Chord Square 1.5m Linear Truss	20.2kg
GT F45PL200	F45P 5-Chord Square 2.0m Linear Truss	26.0kg
GT F45PL300	F45P 5-Chord Square 3.0m Linear Truss	36.3kg
GT F45PL350	F45P 5-Chord Square 3.5m Linear Truss	41.5kg
GT F45PL400	F45P 5-Chord Square 4.0m Linear Truss	46.6kg

Custom lengths can be manufactured to order.

LOAD TABLE (Bottom Centre Chord \leq 1:100 Deflection)*

SPAN (m)	UDL (kg/m)	CPL (kg)	THIRD POINT	FOURTH POINT	FIFTH POINT
4.0	600	500	500	500	500
5.0	600	500	500	500	500
6.0	600	500	500	500	500
7.0	473	500	500	500	500
8.0	365	500	500	500	500
9.0	289	500	500	500	480
10.0	234	500	500	500	434
11.0	192	500	500	500	395
12.0	160	500	500	456	361
13.0	135	500	500	418	332
14.0	115	500	500	384	306
15.0	99	500	476	354	283
16.0	79	500	443	327	261
17.0	63	500	395	283	223
18.0	51	500	337	242	190
19.0	41	489	287	206	162
20.0	33	415	243	175	137

*Bottom Centre Chord Loading Only with Acceptable Deflection \leq 1 : 100 (i.e. standard acceptable truss deflection for general use applications)

Load tables indicate load capacities only and need to be considered in the context of complete engineering certification available at dq.com.au

Full engineering report available upon request.



GT A-CPL-HHD50-EYE
50mmØ Heavy Duty Eye Bolt Coupler



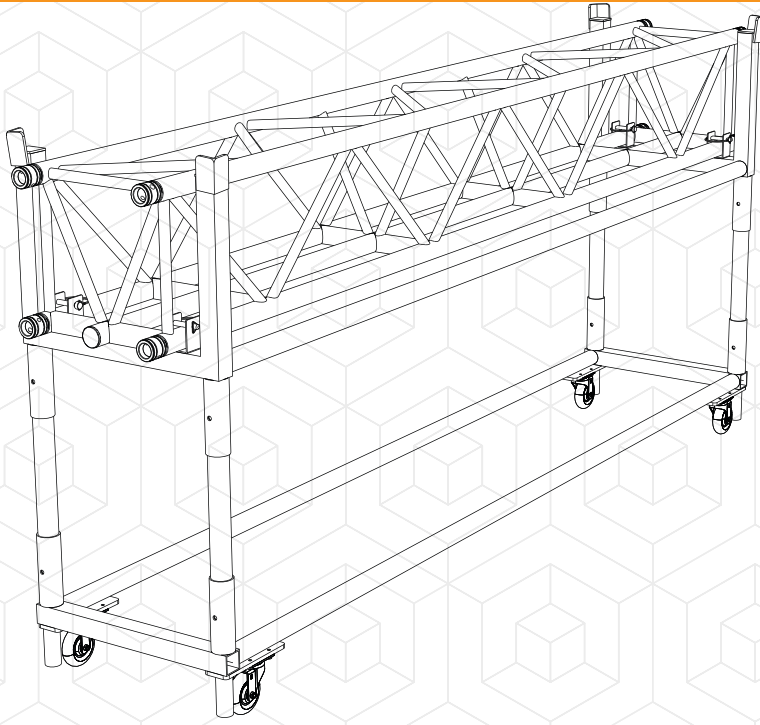
GT A-CPL-HSHD50-EYE
50mmØ Super Heavy Duty Eye Bolt Coupler



GT A-CPL-ETRIG50-B
50mmØ Easy Trigger Clamp (Black)



GT A-CPL-TR50
50mmØ Medium Duty Trigger Clamp (Black)



Additional F45 Truss accessories and complementary products also available at DQ.
Contact us to find out more.



LOAD TABLE (Bottom Centre Chord \leq 1:300 Deflection)**

SPAN (m)	UDL (kg/m)	CPL (kg)	THIRD POINT	FOURTH POINT	FIFTH POINT
4.0	600	500	500	500	500
5.0	600	500	500	500	500
6.0	578	500	500	500	500
7.0	358	500	500	500	500
8.0	235	500	500	495	389
9.0	161	500	500	381	299
10.0	113	500	415	298	234
11.0	81	500	328	235	185
12.0	59	444	261	187	147
13.0	43	353	207	149	117
14.0	32	279	163	117	92
15.0	99	217	127	91	72
16.0	23	164	96	69	54
17.0	11	119	70	50	39
18.0	7	80	47	34	27

**Bottom Centre Chord Loading Only with Acceptable Deflection \leq 1 : 300 (i.e. very low deflection if critical for suspension of LED screen applications)

Load tables indicate load capacities only and need to be considered in the context of complete engineering certification available at dq.com.au

Full engineering report available upon request.

LOAD TABLE (Bottom Outer Chords \leq 1:100 Deflection)***

SPAN (m)	UDL (kg/m)	CPL (kg)	THIRD POINT	FOURTH POINT	FIFTH POINT
4.0	953	2,209	1,358	1,042	859
5.0	760	1,879	1,193	931	778
6.0	631	1,629	1,057	837	684
7.0	473	1,434	945	757	601
8.0	365	1,276	853	689	534
9.0	289	1,146	774	614	480
10.0	234	1,037	707	553	434
11.0	192	944	649	501	395
12.0	160	864	598	456	361
13.0	135	793	552	418	332
14.0	115	731	512	384	306
15.0	99	675	476	354	283
16.0	79	625	443	327	261
17.0	63	580	395	283	223
18.0	51	539	337	242	190
19.0	41	489	287	206	162
20.0	33	415	243	175	137

***Bottom Outer Chords Loading with Acceptable Deflection \leq 1 : 100 (i.e. standard acceptable truss deflection for general use applications)

Load tables indicate load capacities only and need to be considered in the context of complete engineering certification available at dq.com.au

Full engineering report available upon request.

