

TL-A320



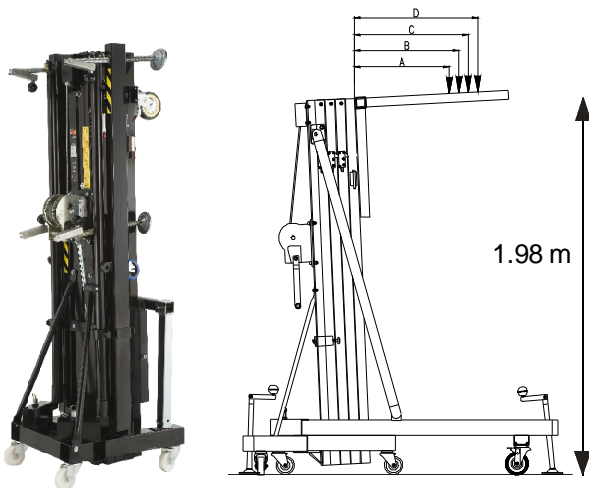
Line Array Lift with Auto-lock security system

TECHNICAL SPECIFICATIONS

Maximum height	6m (19.7')
Maximum load	320kg (705lb)
Work surface	2.25 x 2.15m (7.4 x 7.1')
Folded height	1.98m (6.5')
Weight	184kg (405lb)
Winch	900kg
Adaptor	Forks

Distance from the center of the load to the towerlift	Maximum load
---	--------------

A	50 cm	320 Kg
B	55 cm	291 Kg
C	60 cm	267 Kg
D	65 cm	246 Kg



Design Quintessence Pty Ltd
www.dq.com.au

