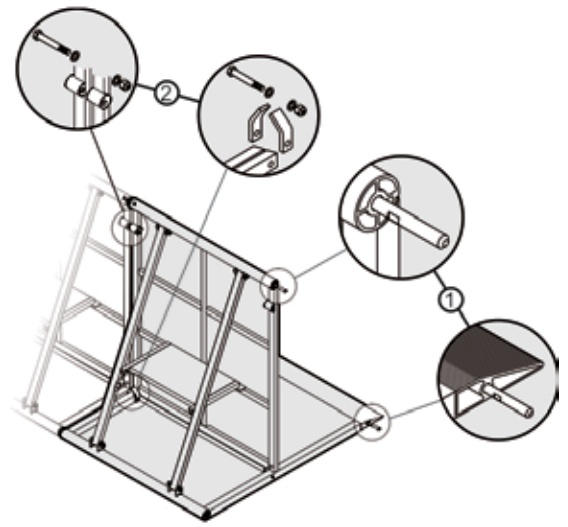


Crowd Barriers



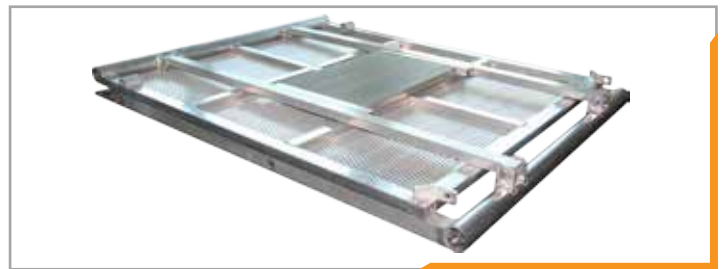
GT CB-S100
Straight Barrier with Security Platform



Rear View

TECHNICAL SPECIFICATIONS

Material	EN AW 6082 T6 Alloy Plate and Tube
Barrier Connector	M12 x 120 Zinc Plated 8.8 Grade Bolt, Nut & Washer
Locating Pin	11.5mmØ 118mmL C45 Steel
Finish	Milled
Weight	38.0kg

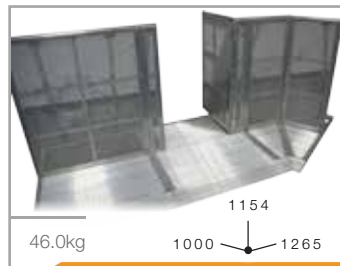


Folded View



GT CB-S100-V

Access Void Crowd Barrier without Security Platform



GT CB-S100-G

Crowd Barrier Gate



GT CB-C45/135

Corner Crowd Barrier



GT CB-S100-S

10 Unit Crowd Barrier Stillage excluding castors (empty)

