



Get Ready for the Next Level

When Simplicity in Motion is the ultimate goal, there's always a next level to meet. ProLyft invites you to take that level further with a product range that is fit to meet the future.

Made for Entertainment

ProLyft Aetos hoists are designed to meet the increasingly exacting demands of the entertainment market. These fool proof hoists are designed to withstand rigorous transportation and rough handling, and can be serviced just about anywhere - even if it is 12 metres above the stage!

Design Quintessence is the exclusive and certified ProLyft Service Point for ProLyft.

Aetos Chain Hoists

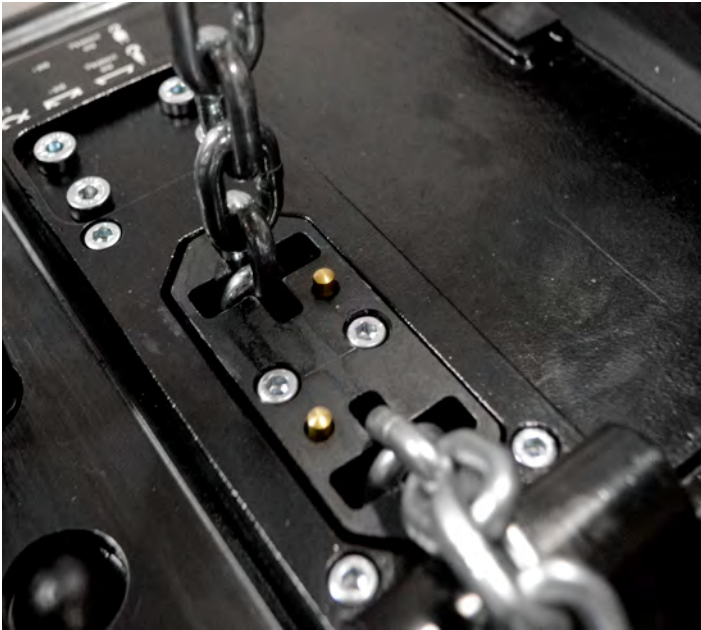


AETOS RANGE

The Aetos range is fully equipped to meet future demands in lifting equipment and offers clever features and carefully engineered product attributes. It comprises standard 250kg, 500kg and 1000kg hoists and controls.



Aetos Chain Hoists



Extended life, reduced maintenance

ProLift Aetos electrical chain hoists have been carefully engineered for the entertainment industry; specifically designed to endure daily use, extending the typical life expectancy of the hoist and chain.

Optimised Chain Feeding:

- Specifically designed disentangle plate for optimal and jam-free chain feeding
- 90% reduction of locking chains
- Jam-free steel chain guide
- Disentangle plate insert softer than the chain
- Chain bag bracket with integrated dead end of chain attachment

Standard Features of the Aetos Range:

- Available in a 250kg, 500kg and a 1000kg hoist body
- Fixed speed of 4m/min
- Low Voltage Control
- 6 Pin Wieland Connector for power and control
- Equipped with limit switches on all hoists, both direct control and low voltage control
- End limit switches are activated by chain stop for 100% repeatable accuracy and easy of use
- External limit switches can be used for hoists used above a grid or false ceiling
- Multiple voltage motor, suitable for worldwide use
- Chain bags for 30mtr up to 80mtr available
- 5-pocket load wheel
- Zinc-plated load chain
- 100% sealed aluminium transmission house without oil plugs
- Standard swivel hook on hoist body and hoist chain
- IP 55 protection

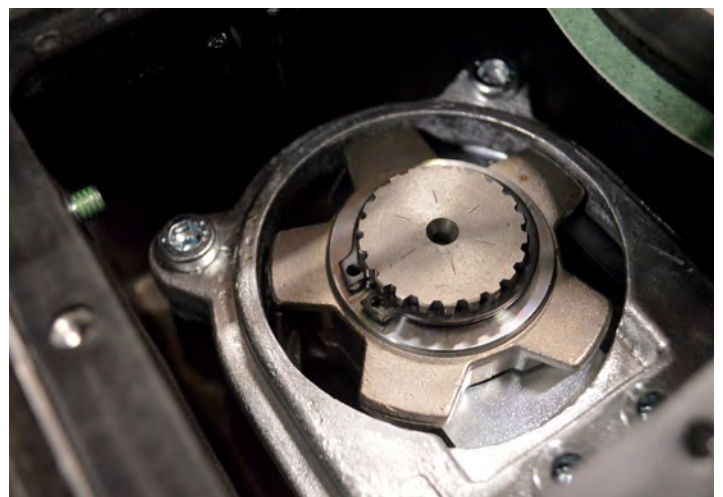
Limit switches on all hoists:

- Low Voltage control is equipped with limit switches as standard
- The limit switches are activated by a foam chain stop
- Prevents hoists from being overloaded when running against the stop
- Adding or positioning a foam chain stop to set a limit takes less than a minute

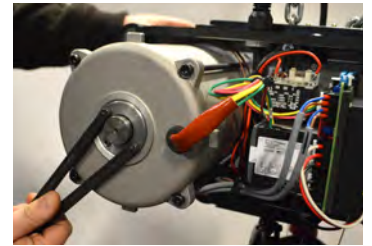
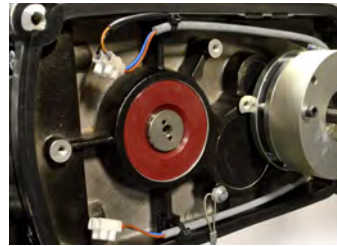
The Unique ProLift Lifetime Warranty Program

ProLift sustains a unique service program on its complete hoist range, developed to offer maximum service and support for all hoist owners. This program encompasses:

- Installed network of trained and certified Service Points
- Lifetime warranty
- Individual identification – RFID tag on every hoist for easy, web-enabled, track and trace functions
- ProLift Service database – automatic reminders for re-certification
- Test certificates worldwide online available for owners of every hoist



Aetos Chain Hoists



Easily Adaptable

- Covers 180 degree rotatable for motor-up use
- Easy mounting of optional second brake
- Brake shaft and electronics prepared for second brake
- Output shaft prepared for rotary limit switch or encoder connection
- All hoists can be double reeved
- Swivelling chain bag bracket for motor-down and motor-up use
- Multiple voltage motor

Easy to Service

- Easy replaceable disentangle plate insert
- Easy access to chain guide and load wheel
- Easy mounting of optional second brake
- Easy replacement of electronic circuit board
- Covers equipped with safety steel and captive bolts
- All electronic components integrated on 1 circuit board
- Adjustable clutch



Prepared for D8+, Category A and BGV-C1 use

- The clutch overload protection device is mounted outside the drive train
- Easy mounting of the second brake
- Proper load capacity marking supplied with second brake
- Limit switches available in direct control and low voltage control versions
- Prepared for double end limit switches
- Output shaft for rotary limit switch or encoder connection

Available accessories

- Single or Dual Chain Hoists Encore cases
- Rain covers
- Lugs
- Double reeved hooks

Design

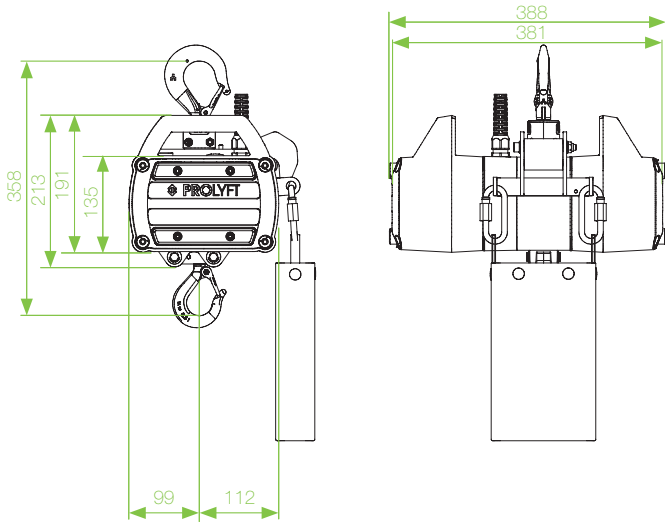
- Damage reducing housing design
- Hand grips integrated in covers
- Replaceable smooth bumpers on covers
- Through and through coloured plastic covers

Aetos Chain Hoists

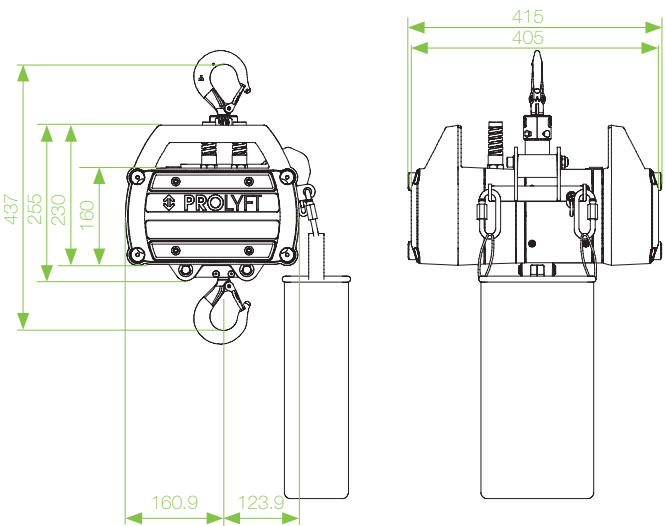
SPECIFICATIONS

	250kg	500kg	1000kg
Lifting Speed	4m/min	4m/min	4m/min
Operating voltage	230/400V - 50Hz	230/400V - 50Hz	230/400V - 50Hz
	208/460V - 60Hz	208/460V - 60Hz	208/460V - 60Hz
Protection class	IP 55	IP 55	IP 55
Motorpower at 50Hz	0.25 kW	0.33 kW	0.66 kW
	0.75 Amp @ 400V	0.82 Amp @ 400V	1.46 Amp @ 400V
Current consumption at full load	1.3 Amp @ 230V	1.42 Amp @ 230V	2.53 Amp @ 230V
FEM Class	1Am	1Am	1Am
FEM Duty Factor	50%	50%	50%
Starts per hour	300	300	300
Noise Level	60 dBA	60 dBA	60 dBA
Load Wheel	5 pocket	5 pocket	5 pocket
Load Chain EN 818-7	4.0 x 12.2mm	5.0 x 15.1mm	7.1 x 20.5 mm
Falls of Chain	1	1	1
Weight of Chain (per metre)	0.35 kg	0.53 kg	1.1 kg
Weight of Body	18 kg	28 kg	47 kg
Type of Control	LVC	LVC	LVC
Limit switches	single up/low limit switches	single up/low limit switches	single up/low limit switches
Type of Power Connector	6 pin Wieland	6 pin Wieland	6 pin Wieland
Type of LVC Connector	6 pin Wieland	6 pin Wieland	6 pin Wieland
Low Voltage	24V	24V	24V

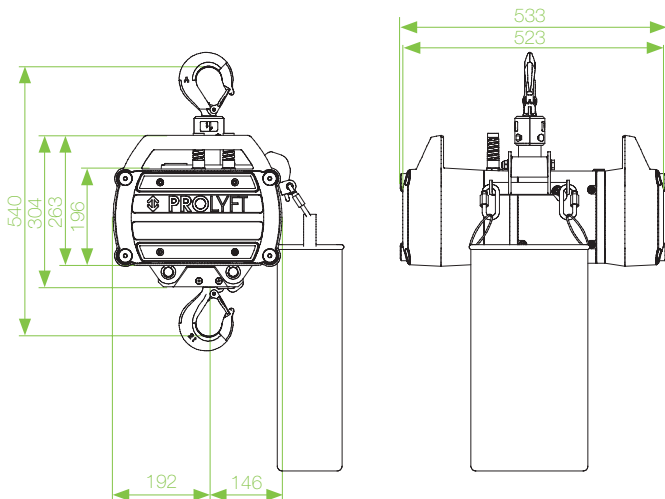
All measurements are in mm.



Aetos 250KG HOIST



Aetos 500KG HOIST



Aetos 1000KG HOIST



ProLyft Pro Controllers



AETOS PRO CONTROLLER RANGE

Introducing the ProLyft Thuja network system

In conjunction with the Aetos range of electric chain hoist controllers, ProLyft introduces the Thuja network. Thuja is a digital data network for controlling lifting equipment in the entertainment industry; safe enough for lifting above people, simple enough for touring use.

The Thuja network allows links between Aetos controllers, creating an extended system, offering the ability to connect remote controls, read feedback from hoists and connect extra E-stops.

To prevent interference with other data networks used in the industry, and to minimize the risk of unsafe network communication, the Thuja network uses standard cat5 cables with 7-pin XLR connectors.

ProLyft Aetos Range

The Aetos range is fully equipped to meet future demands in lifting equipment and offers clever features and carefully engineered product attributes. It comprises standard 250kg, 500kg, 1000kg hoists and controls.

Control made easy

ProLyft Aetos controllers have been engineered with an understanding of the needs of rigging operators. The front panel layout and the functionality of the buttons have been carefully designed to meet the demands of daily practice in lifting, where any selection mistake can create an overload situation.

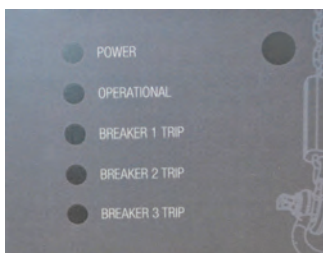
The Aetos Pro Controller Range

- The Aetos Pro controllers are designed for:
- Professional rental companies, demanding a flexible control system to facilitate the frequent change of lifting configurations, offering both easy operation and a clear overview of the selected and operated hoists
- Permanent installations, where controllers are centralised and operated remotely; and where this is a growing demand for multiple remotes and E-stops.
- Use with touch screen remotes, enabling you to create groups of hoists or patch your hoists to any control position.

Specifications

Front panel:

- Sealed front panel with integrated buttons
- LED indicators for "power", "breaker trip" and "operational"
- Hoist selection switches to select the group of hoists to operate
- LED indicators to show the selection per switch
- LED output automatically adjusts to light conditions:
 - Bright in the sun
 - Soft in the darkness of a stage
- Group up/down switch
- Bump function within a selected group
- Single deselect button for easy clearing of the previous selection
- Emergency stop at SIL2 level



ProLyft Pro Controllers



Front panel

- 32Amp/400V CEE form 5pin mains connector with 1.5mtr powercord
- Automatic phase order detection
- Main breaker on back panel, per 4-channels
- Modular power packs per 4 channels, easily interchangeable
- Harting 16pin output connector(s)
- 19-inch rack mountable housing

Thuja network

- Thuja network connection "Link in" / "Link out" by 7pin XLR's on front panel to:
 - Link controllers (up to 99)
 - Connect remotes
- The order of linking will automatically number the controllers on the remote
- Emergency stop in a linked configuration at SIL2 level

Available models

- 4-, 8- and 12-channel version
- Low Voltage Control
- 400Volt

PL PAE-C4LV-10-P

CH CONTROLLER AE 4 WAY 7P-BUS 400-3 LV

PL PAE-C8LV-10-P

CH CONTROLLER AE 8 WAY 7P-BUS 400-3 LV

PL PAE-C12LV-10-P

CH CONTROLLER AE 12 WAY 7P-BUS 400-3 LV



Remote control

The unique Aetos remote control has 24 channels. Its ergonomic design makes it easy to handle and operate. The up and down buttons are situated on both the left and right sides of the panel to facilitate both left and right handed operation. The remote control connects to the controller using the Thuja network connection (7pin XLR). Indicators on the front panel show errors, selections and availability.

PL PAE C24R-10 CH REMOTE AR 24 CHANNEL 7P-BUS

ProLyft Basic Controllers



Dual Chain Hoist Pendant

Single Chain Hoist Pendant

AETOS BASIC CONTROLLER RANGE

Aetos Basic controllers are designed for applications that do not require advanced technology, offering a safe, simple, robust and effective control solution.

SPECIFICATIONS

- Robust rotating up/down selection switches per channel
- Main circuit breaker per 4-channels
- LED phase indication
- E-stop at SIL2 level
- Illuminated start button
- 32Amp/400V CEE form 5pin mains connector
- Mains connector with phase inversion insert
- Harting 16pin output connector(s)
- 19-inch rack mountable housing
- No link function

AVAILABLE MODELS

- 4- and 8-channel version
- Low Voltage Control
- 400Volt

PL PAE-C4LV-00-P
CH CONTROLLER AE 4 WAY BASIC 400-3 LV

PL PAE-C8LV-00-P
CH CONTROLLER AE 8 WAY BASIC 400-3 LV

