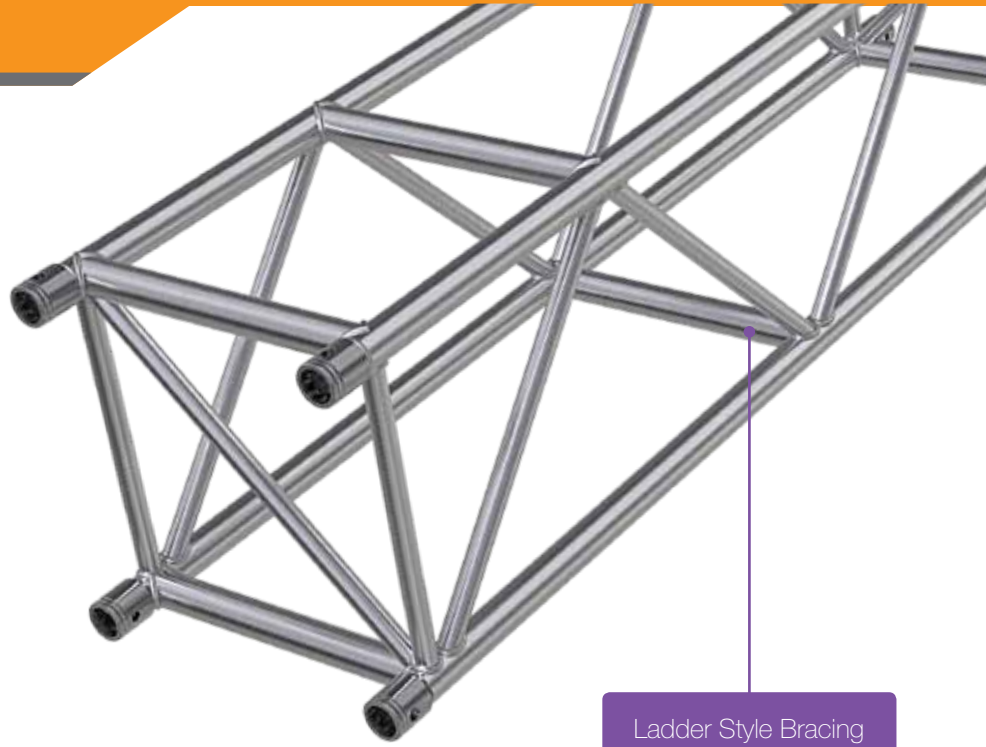
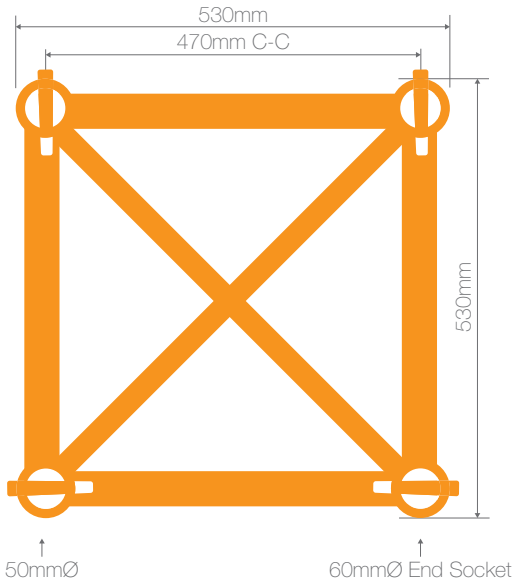


# F54 Square Truss



Ladder Style Bracing



## TECHNICAL SPECIFICATIONS

Chord Material	EN AW 6082 T6
Bracing Material	EN AW 6082 T6
End Socket Material	EN AW 6082 T6
Conical Connector Material	EN AW 2011
Steel Pin Material	8.8 Grade
Chord Dimension	50mmØ x 4mm
Horizontal Bracing Dimension	50mmØ x 4mm
Diagonal Bracing Dimension	25mmØ x 3mm
End Socket	60mmØ OD
Connectors Included	4 x Conical Spigots, Pins & R-Clips

## LOAD TABLE

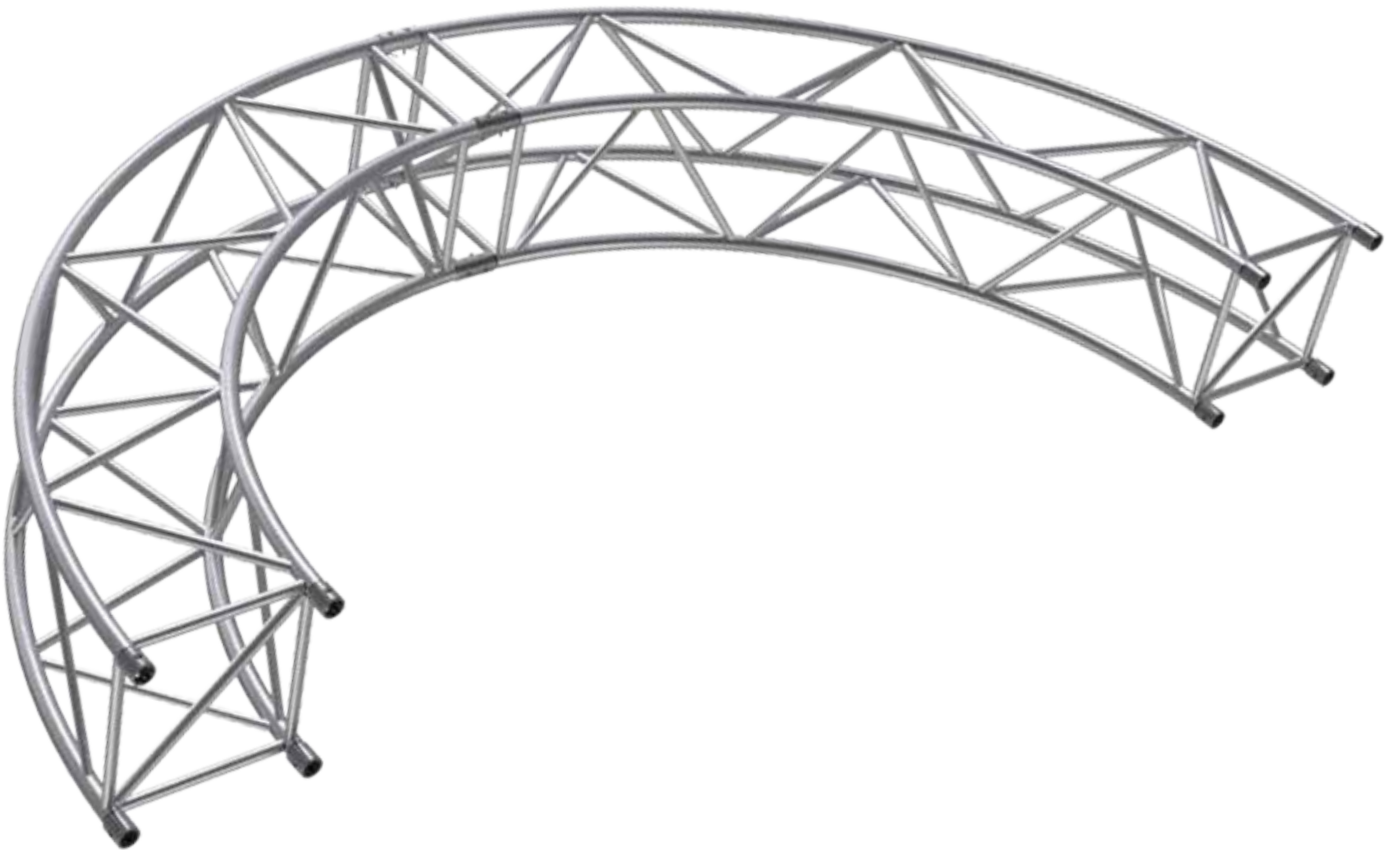
SPAN (m)	UDL (kg/m)	CPL (kg)	THIRD POINT	FOURTH POINT	FIFTH POINT
4	1,255	2,630	1,652	1,214	996
5	1,001	2,278	1,463	1,109	917
6	742	2,003	1,313	1,020	852
7	541	1,783	1,188	941	789
8	411	1,602	1,083	838	699
9	322	1,448	993	738	615
10	258	1,290	916	658	548
11	211	1,159	846	590	493
12	175	1,048	786	534	446
13	147	954	729	486	405
14	125	872	667	445	370
15	107	800	612	408	340
16	92	736	563	375	313
17	80	679	519	346	289
18	70	627	479	319	266
19	61	580	444	296	247
20	54	537	411	273	228
21	47	497	380	254	211
22	42	461	352	235	196
23	37	427	326	217	182
24	33	395	302	201	167

Load tables indicate load capacities only and need to be considered in the context of complete engineering certification available at [dq.com.au](http://dq.com.au)

Full engineering report available upon request.



# F54 Square Truss



## LINEAR

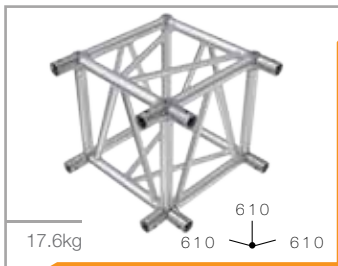
PRODUCT CODE		WEIGHT
GT F54L050	F54 Square 0.5m Linear Truss with Ladder Bracing	16.2kg
GT F54L100	F54 Square 1.0m Linear Truss with Ladder Bracing	21.6kg
GT F54L150	F54 Square 1.5m Linear Truss with Ladder Bracing	27.0kg
GT F54L200	F54 Square 2.0m Linear Truss with Ladder Bracing	32.4kg
GT F54L250	F54 Square 2.5m Linear Truss with Ladder Bracing	37.8kg
GT F54L300	F54 Square 3.0m Linear Truss with Ladder Bracing	43.2kg
GT F54L350	F54 Square 3.5m Linear Truss with Ladder Bracing	48.0kg
GT F54L400	F54 Square 4.0m Linear Truss with Ladder Bracing	53.5kg
GT F54L450	F54 Square 4.5m Linear Truss with Ladder Bracing	66.5kg
GT F54L500	F54 Square 5.0m Linear Truss with Ladder Bracing	76.8kg

Custom lengths can be manufactured to order.

## RADIALS

PRODUCT CODE		RADIAL SIZE
GT F54R150-90	F54 1.5mR (3.0mØ) 90° Radial Truss (4 parts to a Circle)	
GT F54R200-90	F54 2.0mR (4.0mØ) 90° Radial Truss (4 parts to a Circle)	
GT F54R300-45	F54 3.0mR (6.0mØ) 45° Radial Truss (8 parts to a Circle)	
GT F54R400-45	F54 4.0mR (8.0mØ) 45° Radial Truss (8 parts to a Circle)	
GT F54R450-45	F54 4.5mR (9.0mØ) 45° Radial Truss (8 parts to a Circle)	
GT F54R500-45	F54 5.0mR (10.0mØ) 45° Radial Truss (8 parts to a Circle)	
GT F54R600-30	F54 6.0mR (12.0mØ) 30° Radial Truss (12 parts to a Circle)	
GT F54R750-30	F54 7.5mR (15.0mØ) 30° Radial Truss (12 parts to a Circle)	

Custom radials can be manufactured to order..



**GT F54JBOX**

6 Way Cube Junction with 8 Socket Connectors & Bolts for 2 Faces



**GT F54J21**

F54 2 Way 90° Corner



**GT F54J35**

3 Way T-Junction



**GT F54J41**

4 Way X-Junction