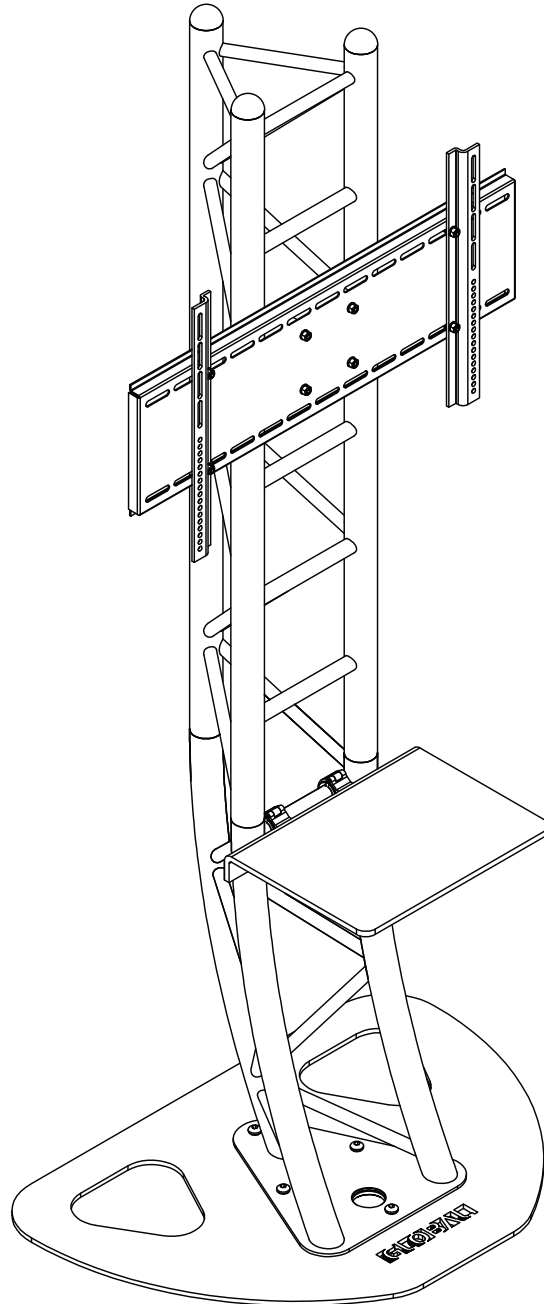


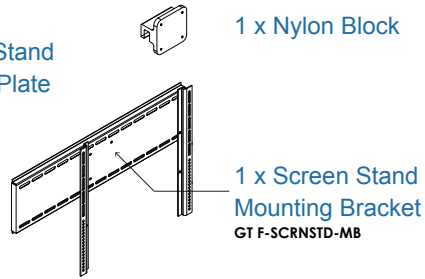
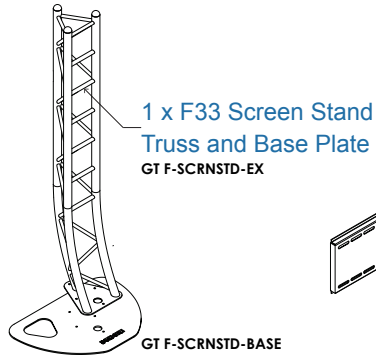
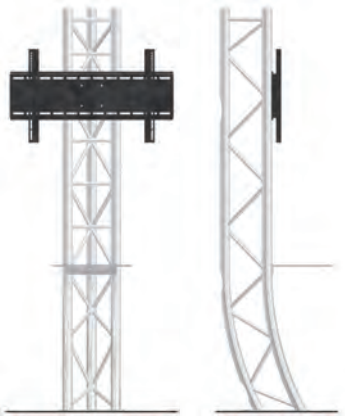
dq.com.au



## F33 STYLE PRESENTATION STANDS

- GT F-SCRNSTD
  - GT F-SCRNSTD-MB
    - GT F-SCRNSTD-SH (Optional)
  - GT F-LECT
  - GT F-PLIN
- PACKAGE CONTENTS

## F33 CURVED STYLE PLASMA SCREEN STAND



4 x M8x35mm Hex Screws, Hex Nut and Washers

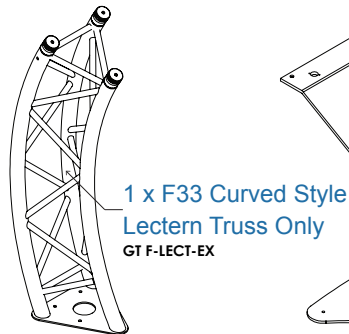
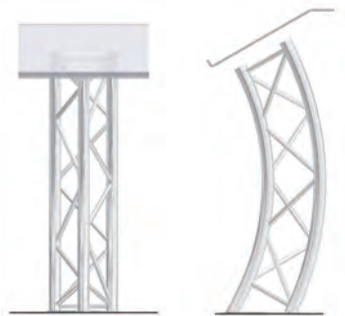
4 x M8x40mm Hex Screws, 2 x Nuts and 3 x Washers

1 x M8x60mm Socket Screw

4 x M10x15mm Dome Screws with Washer



## F33 CURVED STYLE LECTERN

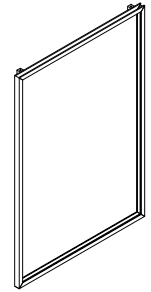


3 x M10x25mm Countersunk Screw  
FN SC-M10-25-SS

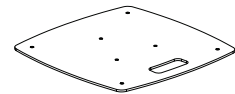
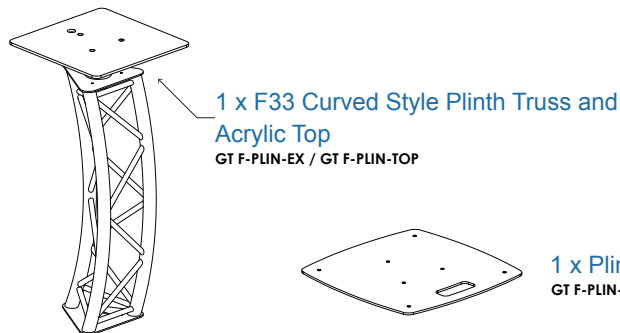
2 x M6x20mm Countersunk Lectern Frame Screws  
FN SC-M6-20-SS

4 x M10x16mm Dome Head Screw  
FN SC-M10-16-SS

3 x Adjustable feet to suit Lectern Base



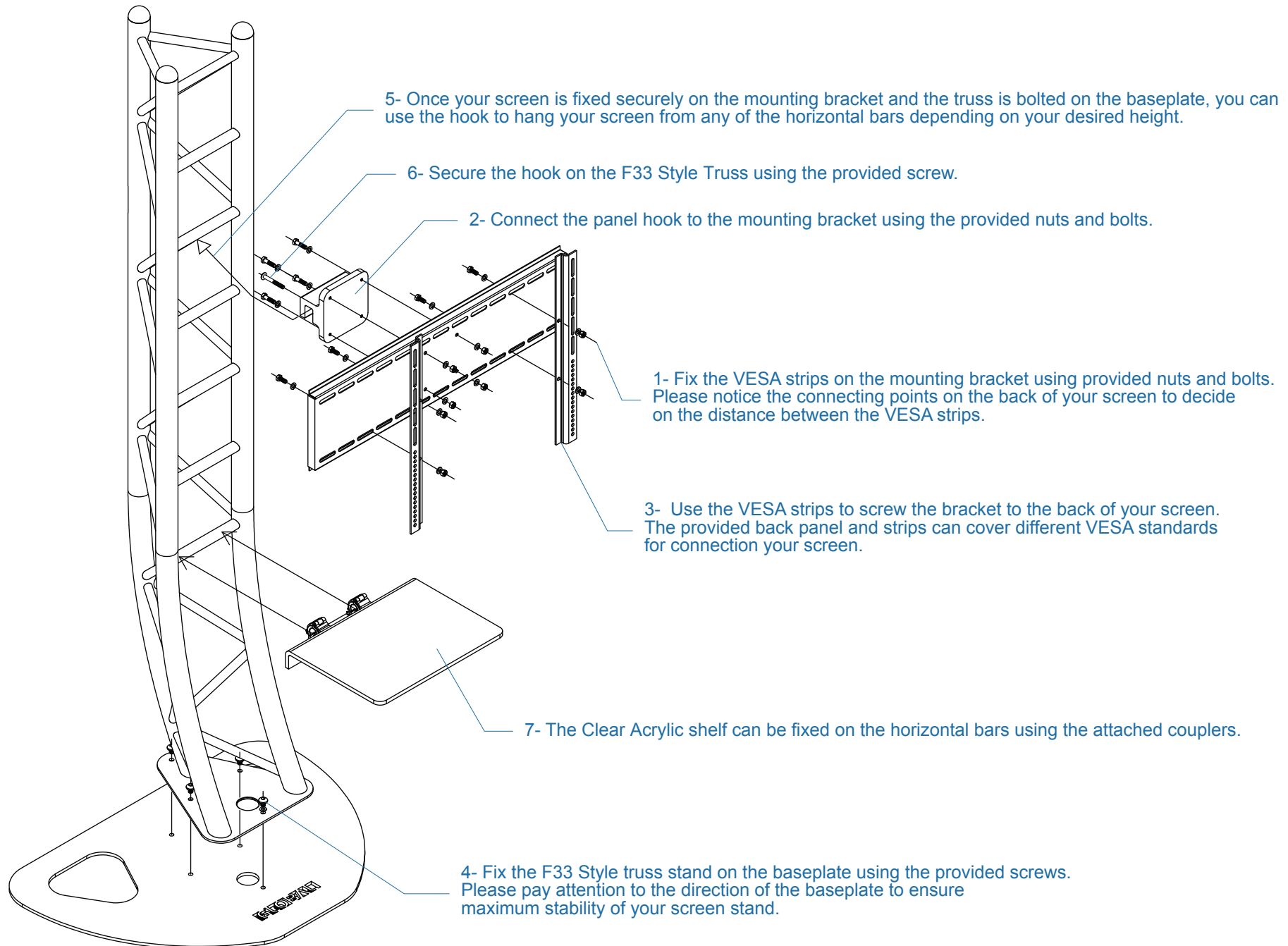
## F33 CURVED STYLE PLINTH



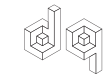
3 x M10x25mm Countersunk Screw with Nuts  
FN SC-M10-25-SS

3 x M10x16mm Dome Head Screw  
FN SC-M10-16-SS

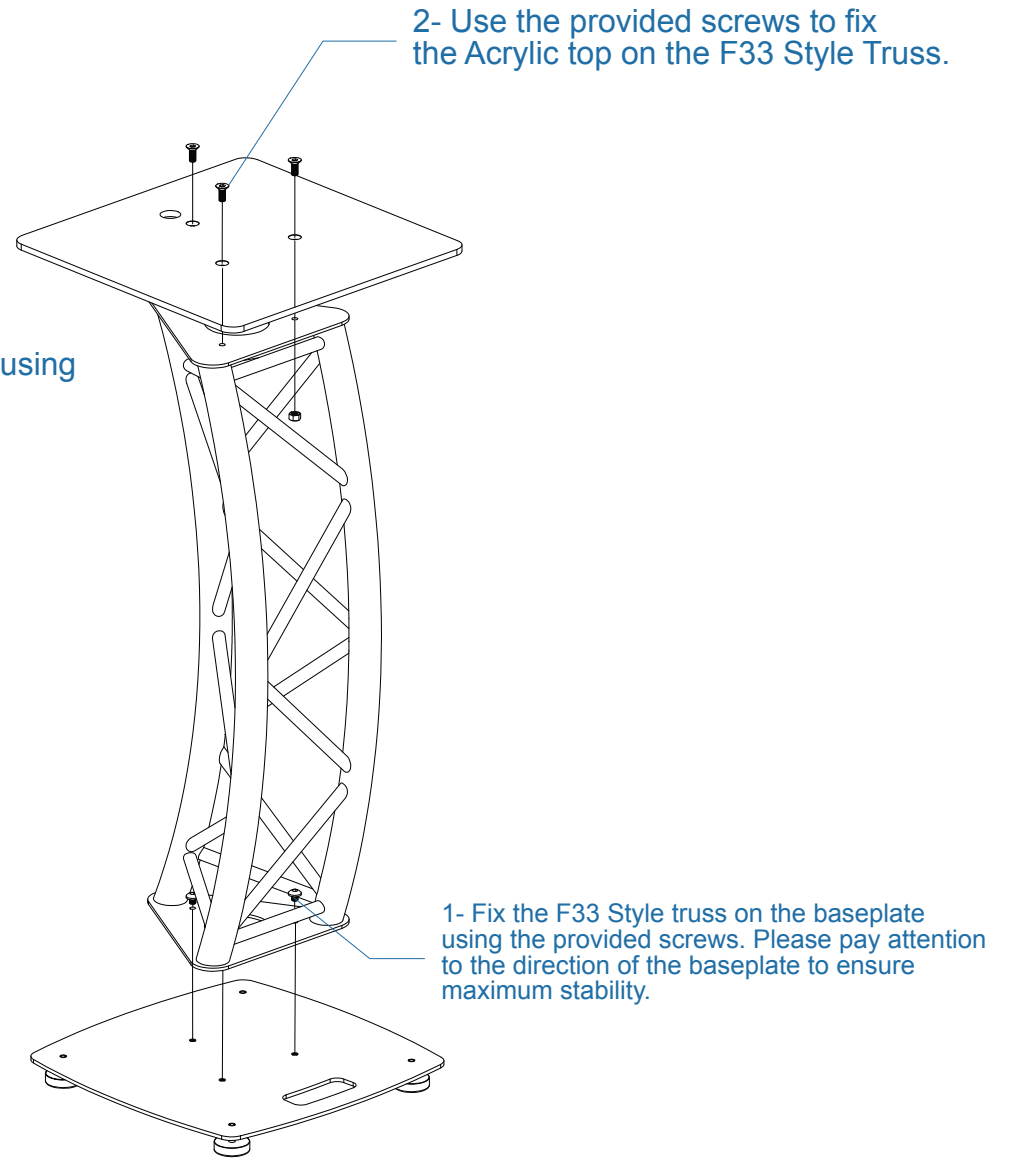
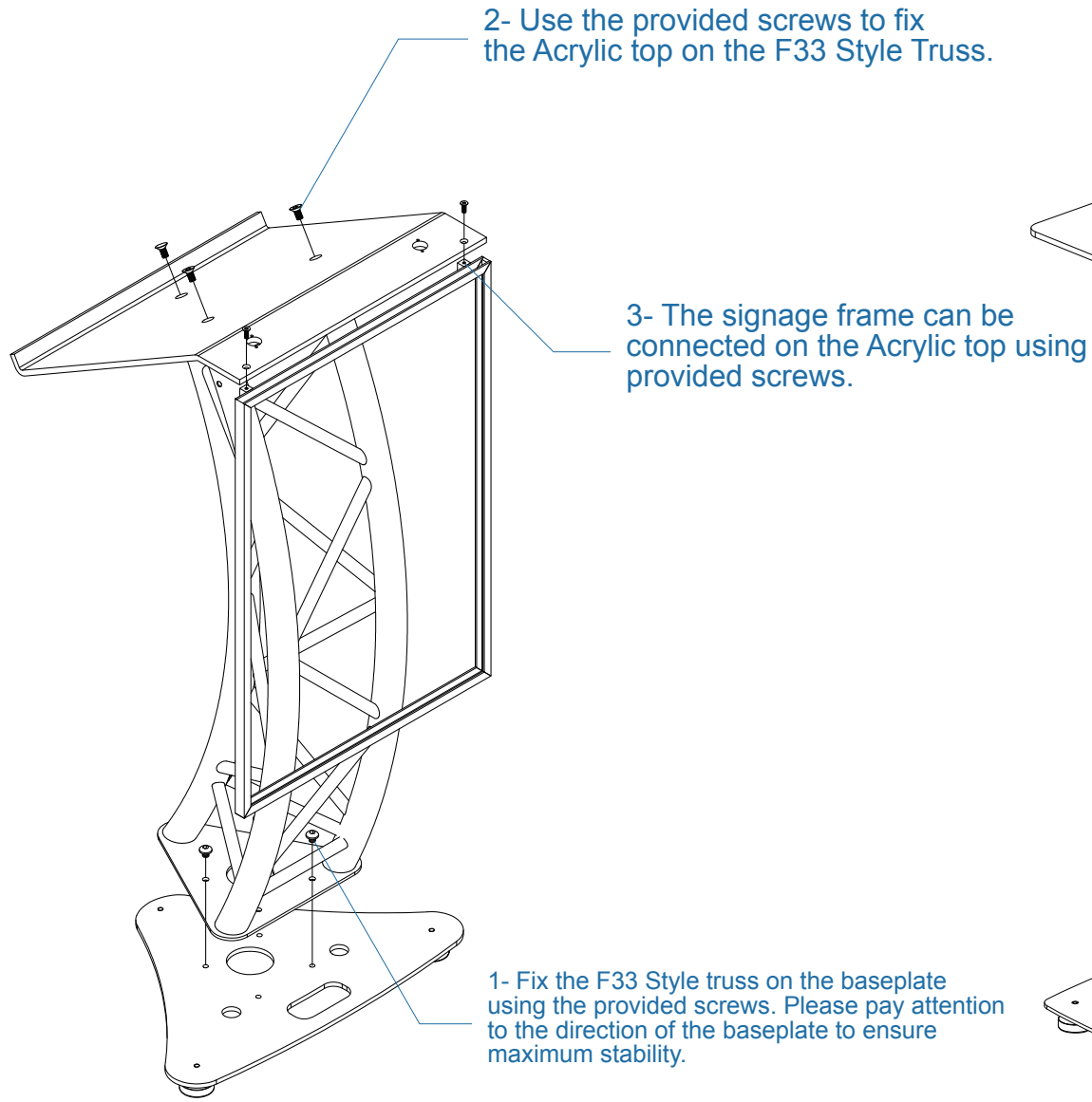
4 x Adjustable feet to suit Plinth Base



# F33 STYLE PLASMA/LCD SCREEN STAND



## F33 STYLE PRESENTATION STANDS



F33 STYLE TRUSS LECTERN

F33 STYLE TRUSS PLINTH