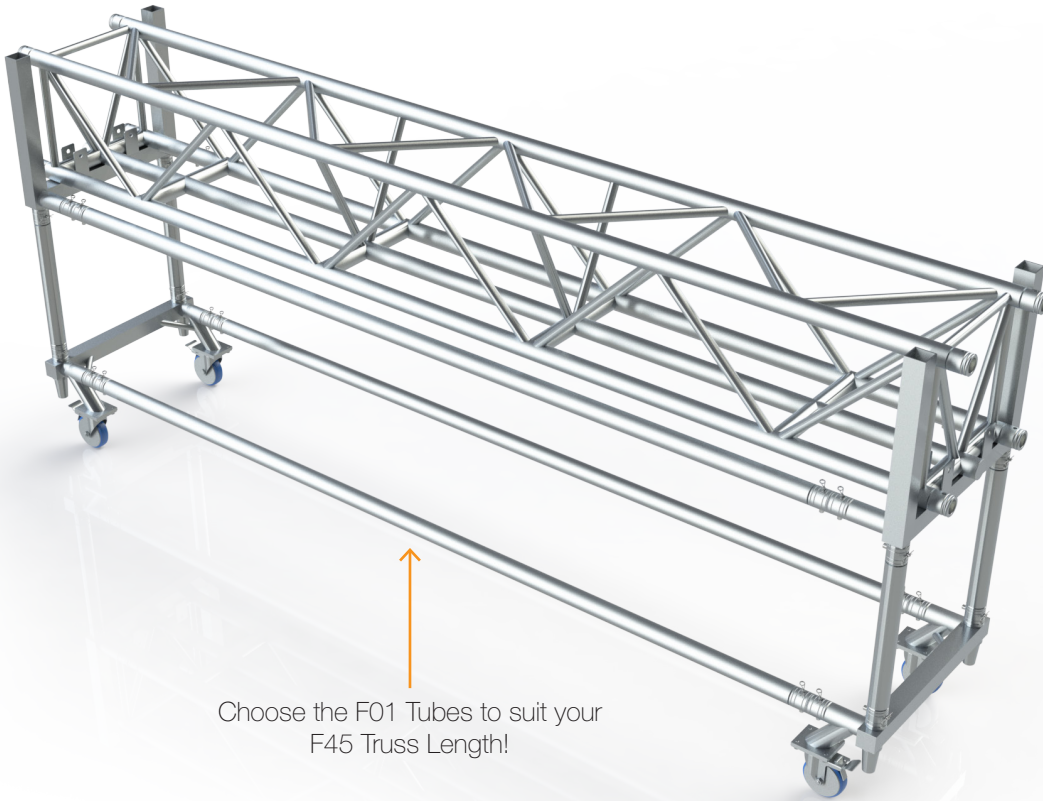
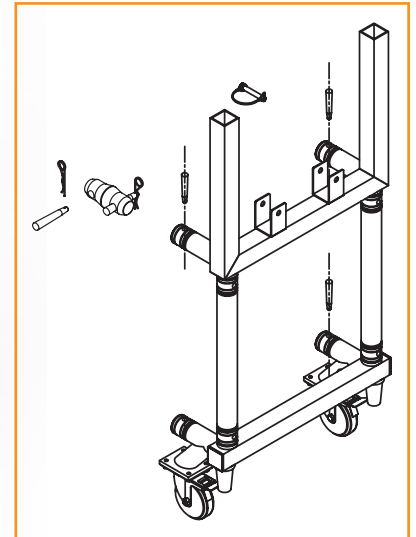


F45 Truss Dolly



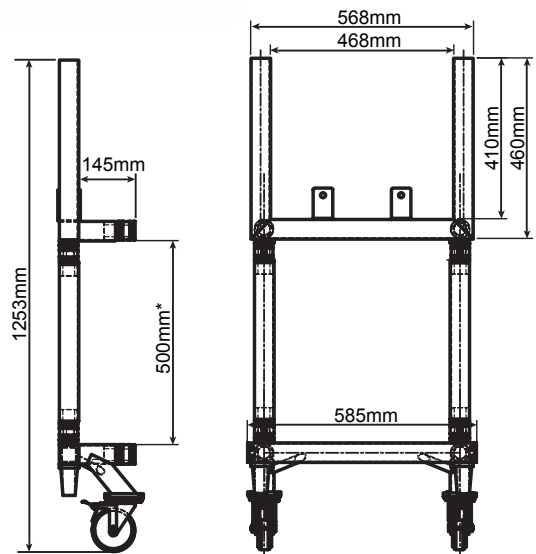
Choose the F01 Tubes to suit your F45 Truss Length!



Truss designs have been an integral part of our business and understanding the needs of our clients is a standard practice at Design Quintessence. Using our combined extensive industry experience and expertise, we are able to provide innovative solutions that can go to production directly out of R&D stage.

Recently, we have recently developed a new line of quality pre-rig truss dollies from Global Truss to the Australian market. Built using standard off-the-shelf F01 Tubes and specially designed aluminium end frames, its rigid structure allows for easy loading and unloading of your F45 truss.

Easily transform your existing, or new, line of F45 5 Chord Truss into a pre-rig system!



**Height can easily be adjusted by increasing/decreasing truss spacers or F01 Tube lengths*

F45 DOLLY SPECIFICATIONS

Tube Material	EN AW 6082 T6
End Socket Material	EN AW 6082 T6
Conical Spigot Material	EN AW 6011
Steel Pin Material	8.8 grade
Tube Dimension	50mmØ
Connectors included	4x Conical Spigots, Pins & R-Clips included per End Frame

LENGTHS

PRODUCT CODE	WEIGHT
GT F45DOLL-L100	F45 Truss Dolly for 1.0m Linear Truss
GT F45DOLL-L150	F45 Truss Dolly for 1.5m Linear Truss
GT F45DOLL-L200	F45 Truss Dolly for 2.0m Linear Truss
GT F45DOLL-L300	F45 Truss Dolly for 3.0m Linear Truss

