

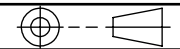
REV	DESCRIPTION	BY	DATE

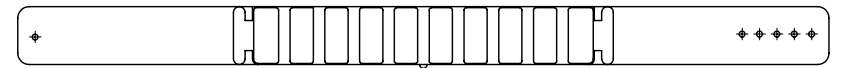
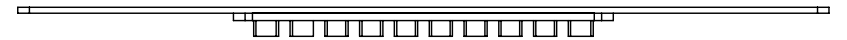
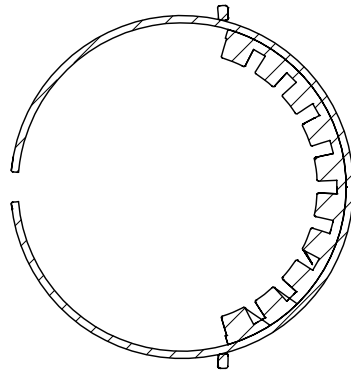
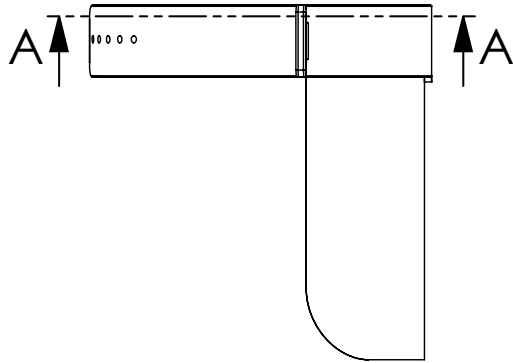
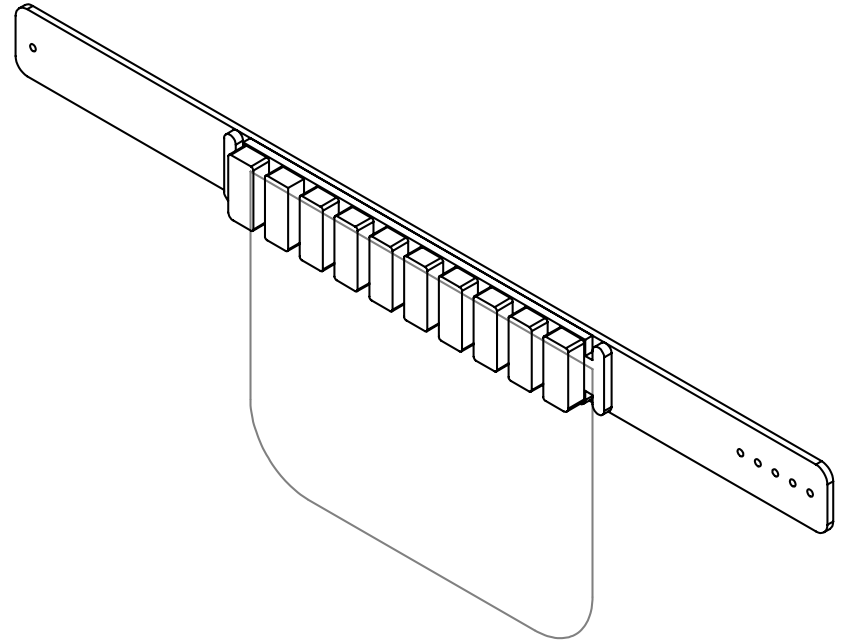
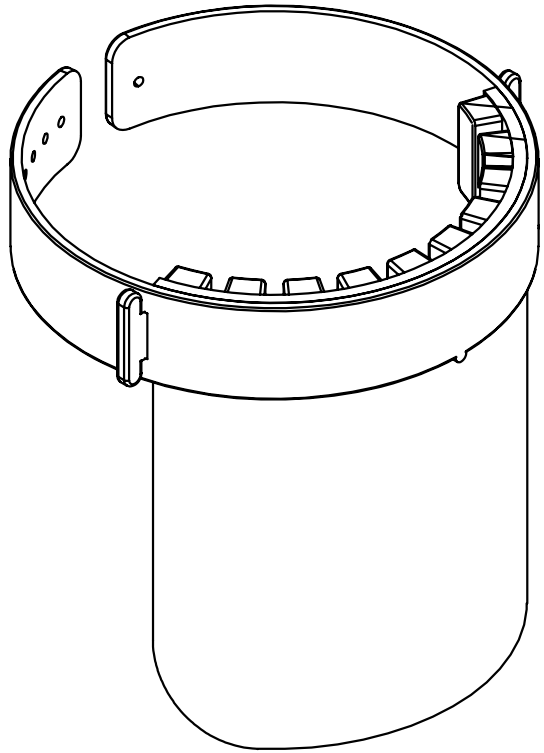

 THIS DRAWING AND INFORMATION CONTAINED  
 HEREON IS NOT TO BE REPRODUCED IN WHOLE  
 OR PART, NOT TO PUT TO ANY USE WITHOUT  
 THE EXPRESS PERMISSION OF DESIGN  
 QUINTESSENCE PTY LTD © 2018  
**DESIGN QUINTESSENCE PTY LTD**  
 UNIT 2, 15 PERCY STREET  
 AUBURN NSW 2144  
 TEL +61 2 9649 2266  
 FAX +61 2 9649 2200  
[www.dq.com.au](http://www.dq.com.au)

DRAWN BY	DATE
CHECKED BY	DATE
MATERIAL	COLOUR
WEIGHT kg	SHEET

DRAWING:	SCALE


CLIENT:	REV	
<b>DISPOSABLE PROTECTIVE FACE SHIELD</b>	<b>A</b>	<b>A4</b>
DRAWING No.		





SECTION A-A

REV	DESCRIPTION	BY	DATE


 THIS DRAWING AND INFORMATION CONTAINED  
 HEREON IS NOT TO BE REPRODUCED IN WHOLE  
 OR PART, NOT TO PUT TO ANY USE WITHOUT  
 THE EXPRESS PERMISSION OF DESIGN  
 QUINTESSENCE PTY LTD © 2018  
 DESIGN QUINTESSENCE PTY LTD  
 UNIT 2, 15 PERCY STREET  
 AUBURN NSW 2144  
 TEL +61 2 9649 2266  
 FAX +61 2 9649 2200  
[www.dq.com.au](http://www.dq.com.au)

DRAWN BY	DATE
CHECKED BY	DATE
MATERIAL	COLOUR
WEIGHT kg	SHEET
	1 OF 1

DRAWING:
SCALE

CLIENT:	
DISPOSABLE PROTECTIVE FACE SHIELD	
DRAWING No.	
REV	
A	A4

