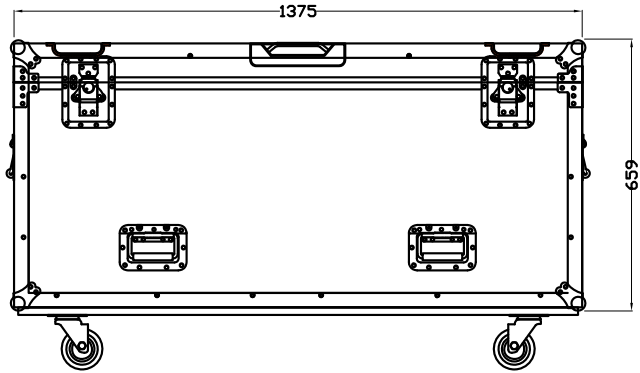
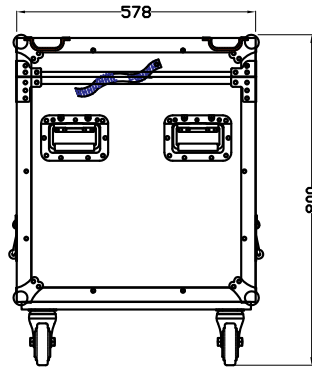


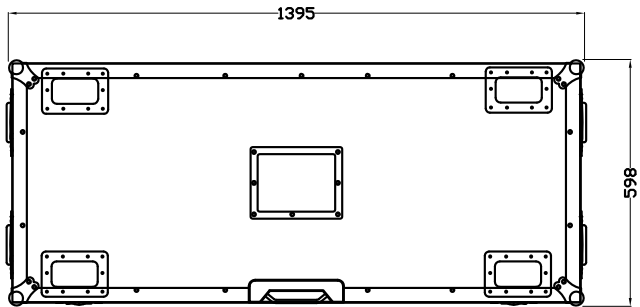
EXTERNAL DIMENSIONS (1400mmL x 600mmW Truck Pack)



FRONT VIEW

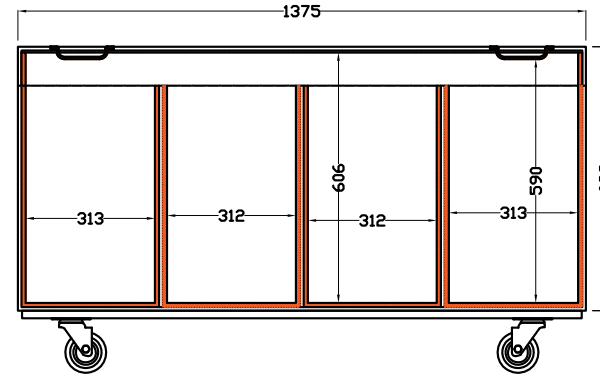


SIDE VIEW

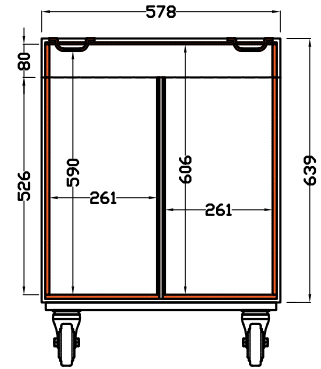


TOP VIEW

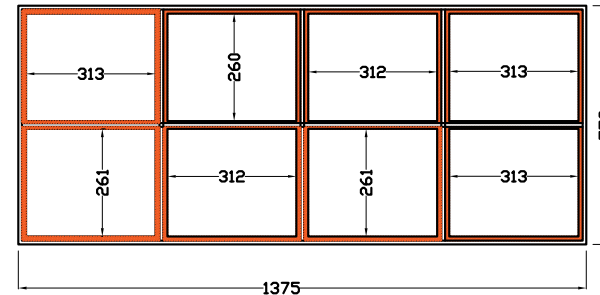
INTERNAL DIMENSIONS



FRONT VIEW



SIDE VIEW



TOP VIEW

Compatible with:

- Show Pro RGBAL Fresnel (1k)
- Show Pro ZE2 H/P Fresnel (2k)
- Show Pro ZMI HD Manual 200m Fresnel (1k)