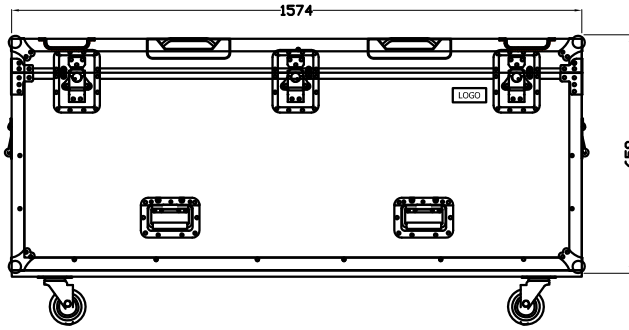
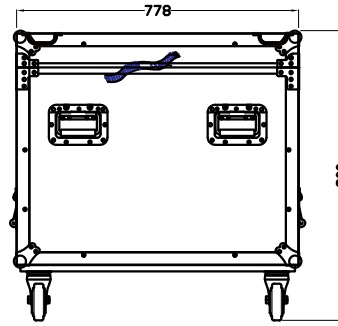


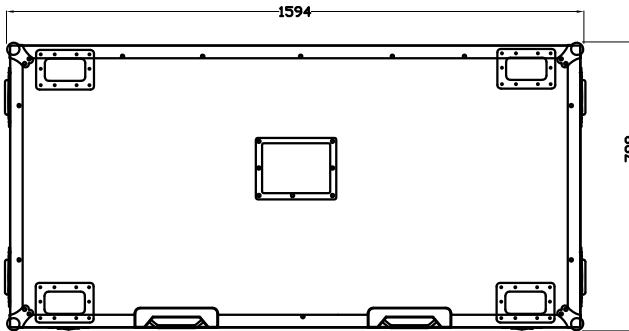
EXTERNAL DIMENSIONS (1600mmL x 800mmW Truck Pack)



FRONT VIEW

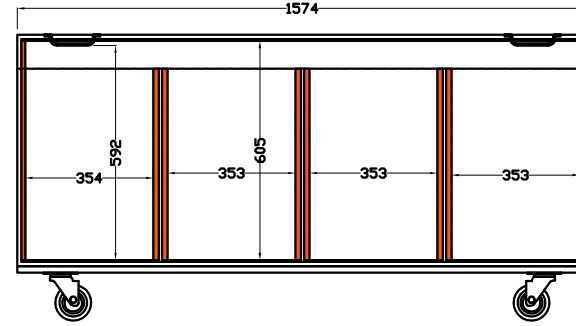


SIDE VIEW

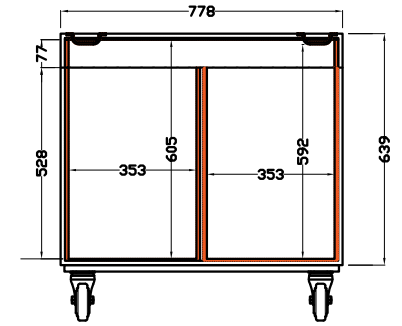


TOP VIEW

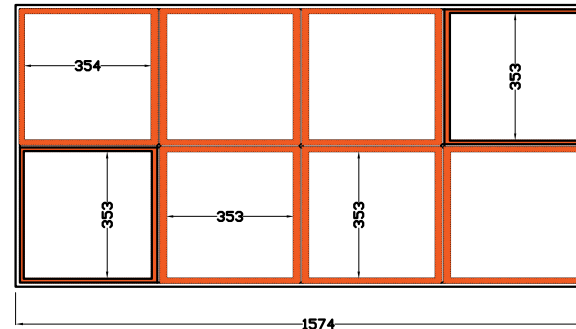
INTERNAL DIMENSIONS



FRONT VIEW



SIDE VIEW



TOP VIEW

DRAWN BY	DATE
WEIGHT kg	MATERIAL
COLOUR	VER
SCALE	SHEET

ALL DRAWINGS MUST BE APPROVED BY THE CUSTOMER BEFORE PRODUCTION. IT IS THE CUSTOMERS RESPONSIBILITY TO ENSURE THAT THE DESIGN IS CORRECT IN ALL ASPECTS. PLEASE BE SURE TO DOUBLE CHECK ANY HIGHLIGHTED DIMENSIONS AND NOTES. IF THE DRAWING CONTAINING ERRORS IS APPROVED, THE CUSTOMER IS RESPONSIBLE FOR ALL COSTS, INCLUDING MODIFICATIONS AND RE-MAKES.

DRAWING:	ES-RC-L102 8 Unit 2K Fresnel Case	CLIENT:
MP:		DRAWING No: