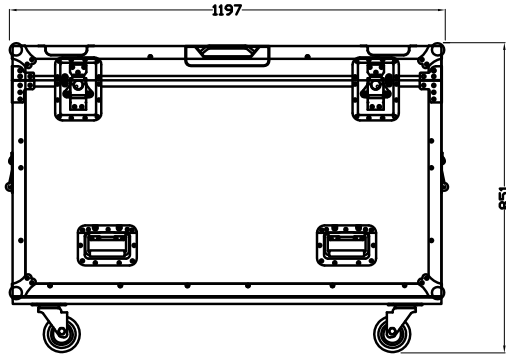
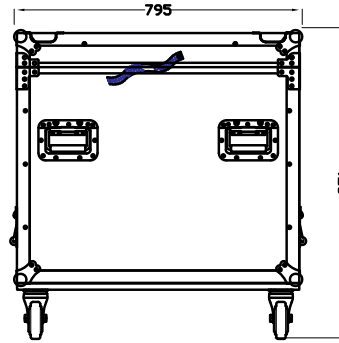


EXTERNAL DIMENSIONS (1200mmL x 800mmW Truck Pack)

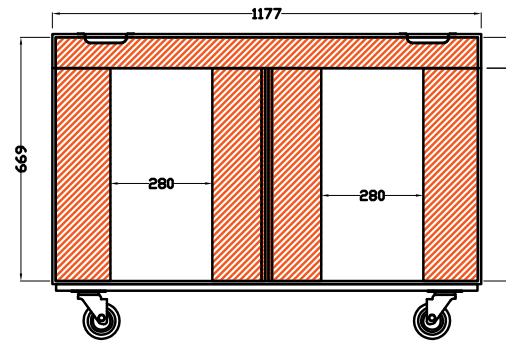
INTERNAL DIMENSIONS



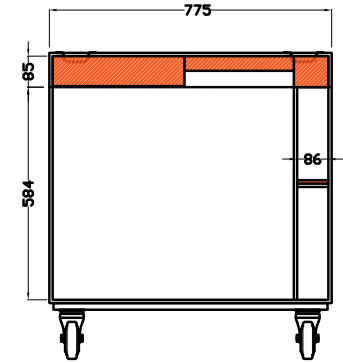
FRONT VIEW



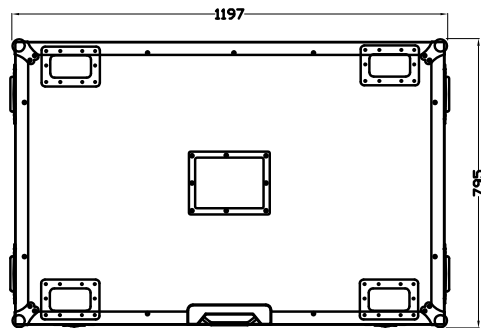
SIDE VIEW



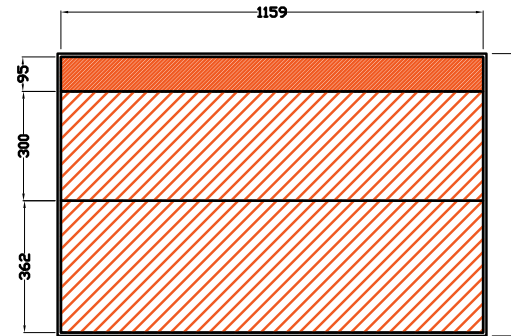
FRONT VIEW



SIDE VIEW



TOP VIEW



TOP VIEW



THIS DRAWING AND INFORMATION CONTAINED HEREON IS NOT TO BE REPRODUCED IN WHOLE OR PART, NOT TO PUT TO ANY USE WITHOUT THE EXPRESS PERMISSION OF DESIGN QUINTESSENCE PTY LTD © 2022
DESIGN QUINTESSENCE PTY LTD
 UNIT 2 15 PERCY STREET
 AUBURN NSW 2144
 TEL +61 2 9649 2266

DRAWN BY	DATE
WEIGHT kg	MATERIAL
COLOUR	VER
SCALE	SHEET

ALL DRAWINGS MUST BE APPROVED BY THE CUSTOMER BEFORE PRODUCTION. IT IS THE CUSTOMERS RESPONSIBILITY TO ENSURE THAT THE DESIGN IS CORRECT IN ALL ASPECTS. PLEASE BE SURE TO DOUBLE CHECK ANY HIGHLIGHTED DIMENSIONS AND NOTES. IF THE DRAWING CONTAINING ERRORS IS APPROVED, THE CUSTOMER IS RESPONSIBLE FOR ALL COSTS, INCLUDING MODIFICATIONS AND RE-MAKES.

DRAWING:	ES-RC-L107 Dual Unit Moving Head Lighting Case
CLIENT:	
DRAWING No:	
MF:	DQ



ALL DIMENSIONS ARE IN MILLIMETERS UNLESS OTHERWISE SPECIFIED