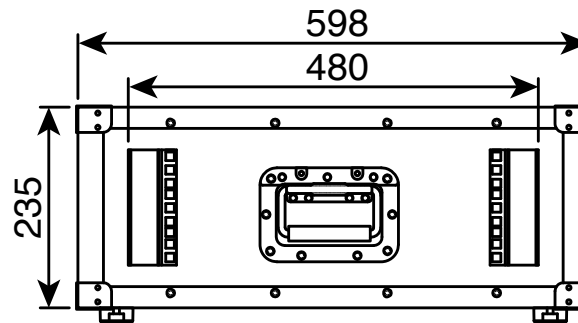


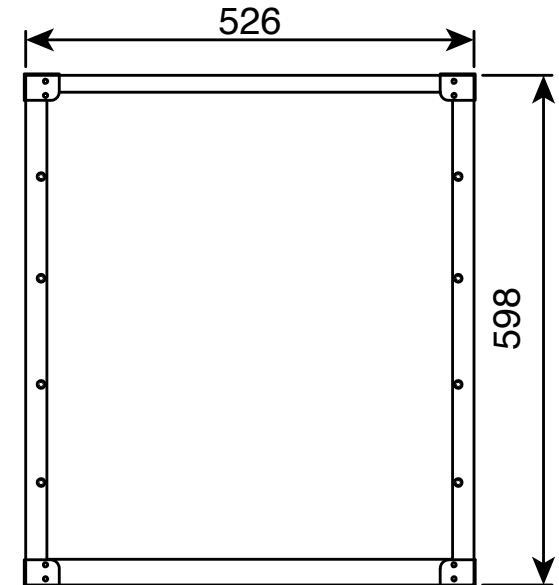
# EXTERNAL DIMENSIONS



FRONT VIEW



SIDE VIEW



TOP VIEW



THIS DRAWING AND INFORMATION CONTAINED HEREON IS NOT TO BE REPRODUCED IN WHOLE OR PART, NOT TO PUT TO ANY USE WITHOUT THE EXPRESS PERMISSION OF DESIGN QUINTESSENCE PTY LTD © 2022  
**DESIGN QUINTESSENCE PTY LTD**  
 UNIT 2 15 PERCY STREET  
 AUBURN NSW 2144  
 TEL +61 2 9649 2266

DRAWN BY	DATE
WEIGHT kg	MATERIAL
COLOUR	VER
SCALE	SHEET

ALL DRAWINGS MUST BE APPROVED BY THE CUSTOMER BEFORE PRODUCTION. IT IS THE CUSTOMERS RESPONSIBILITY TO ENSURE THAT THE DESIGN IS CORRECT IN ALL ASPECTS. PLEASE BE SURE TO DOUBLE CHECK ANY HIGHLIGHTED DIMENSIONS AND NOTES. IF THE DRAWING CONTAINING ERRORS IS APPROVED, THE CUSTOMER IS RESPONSIBLE FOR ALL COSTS, INCLUDING MODIFICATIONS AND RE-MAKES.

DRAWING:	<b>ES-RM-OVUN-3RU500</b> 3RU Standard Rack Mount Case with Over & Under Slide-Away Doors; 500mmD External - Black
CLIENT:	
DRAWING No:	
DQ	



ALL DIMENSIONS ARE IN MILLIMETERS UNLESS OTHERWISE SPECIFIED