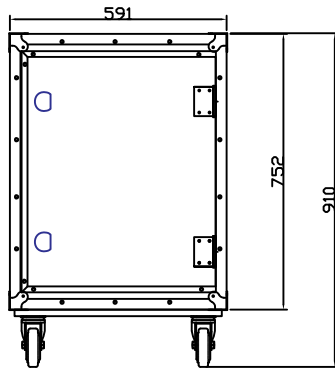
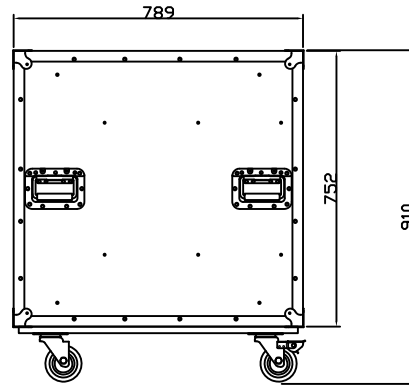


EXTERNAL DIMENSIONS

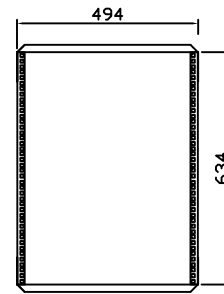


FRONT VIEW

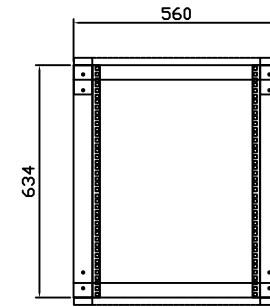


SIDE VIEW

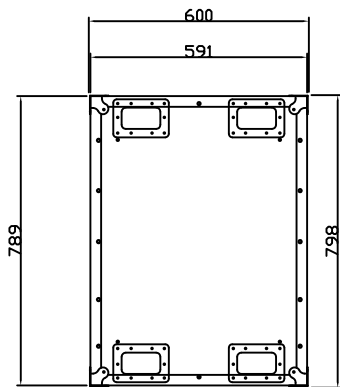
INTERNAL DIMENSIONS



FRONT VIEW



SIDE VIEW



TOP VIEW

DRAWN BY	DATE
WEIGHT kg	MATERIAL
COLOUR	VER
SCALE	SHEET

ALL DRAWINGS MUST BE APPROVED BY THE CUSTOMER BEFORE PRODUCTION. IT IS THE CUSTOMERS RESPONSIBILITY TO ENSURE THAT THE DESIGN IS CORRECT IN ALL ASPECTS. PLEASE BE SURE TO DOUBLE CHECK ANY HIGHLIGHTED DIMENSIONS AND NOTES. IF THE DRAWING CONTAINING ERRORS IS APPROVED, THE CUSTOMER IS RESPONSIBLE FOR ALL COSTS, INCLUDING MODIFICATIONS AND RE-MAKES.

DRAWING:	ES-RMAV-14RU-22 14RU Anti-Vibration Slide-Away Door Rack Mount Case
MP:	DQ

CLIENT:	
DRAWING No:	ALL DIMENSIONS ARE IN MILLIMETERS UNLESS OTHERWISE SPECIFIED