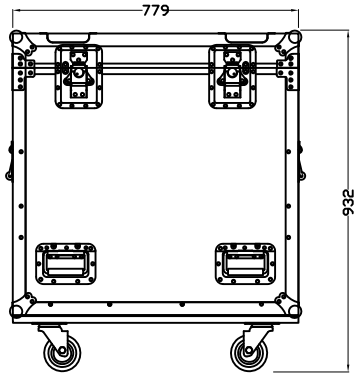
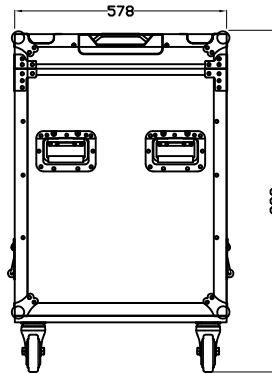


## EXTERNAL DIMENSIONS

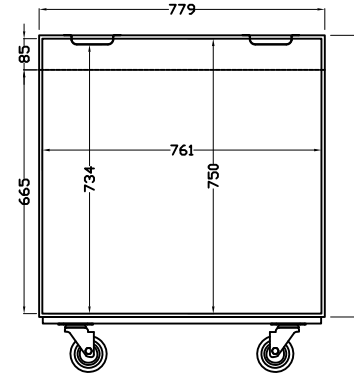


FRONT VIEW

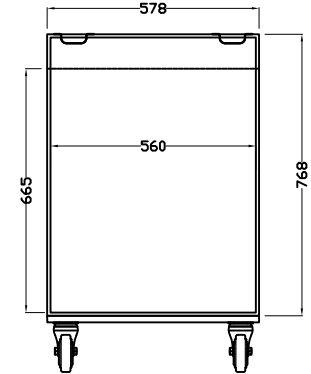


SIDE VIEW

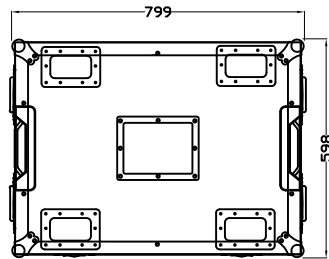
## INTERNAL DIMENSIONS



FRONT VIEW

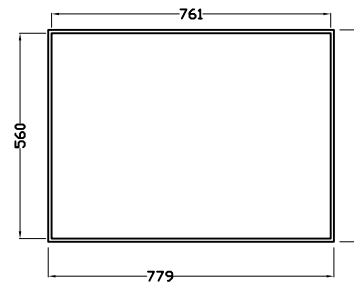
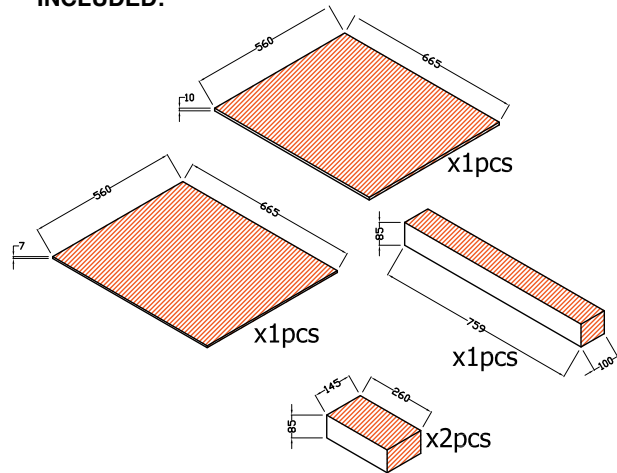


SIDE VIEW



TOP VIEW

### INCLUDED:



TOP VIEW