

REMOVABLE LID TO BE USED AS A SIGNAGE BOARD AND PLACED ON TOP OF THE TRUSS STRUCTURE

BACK WHICH WILL BE PLACED ON THE GROUND AS A STANDING PLATFORM

10X LARGE PENN ELCOM LATCHES TO FIRMLY SECURE THE CASE TOGETHER

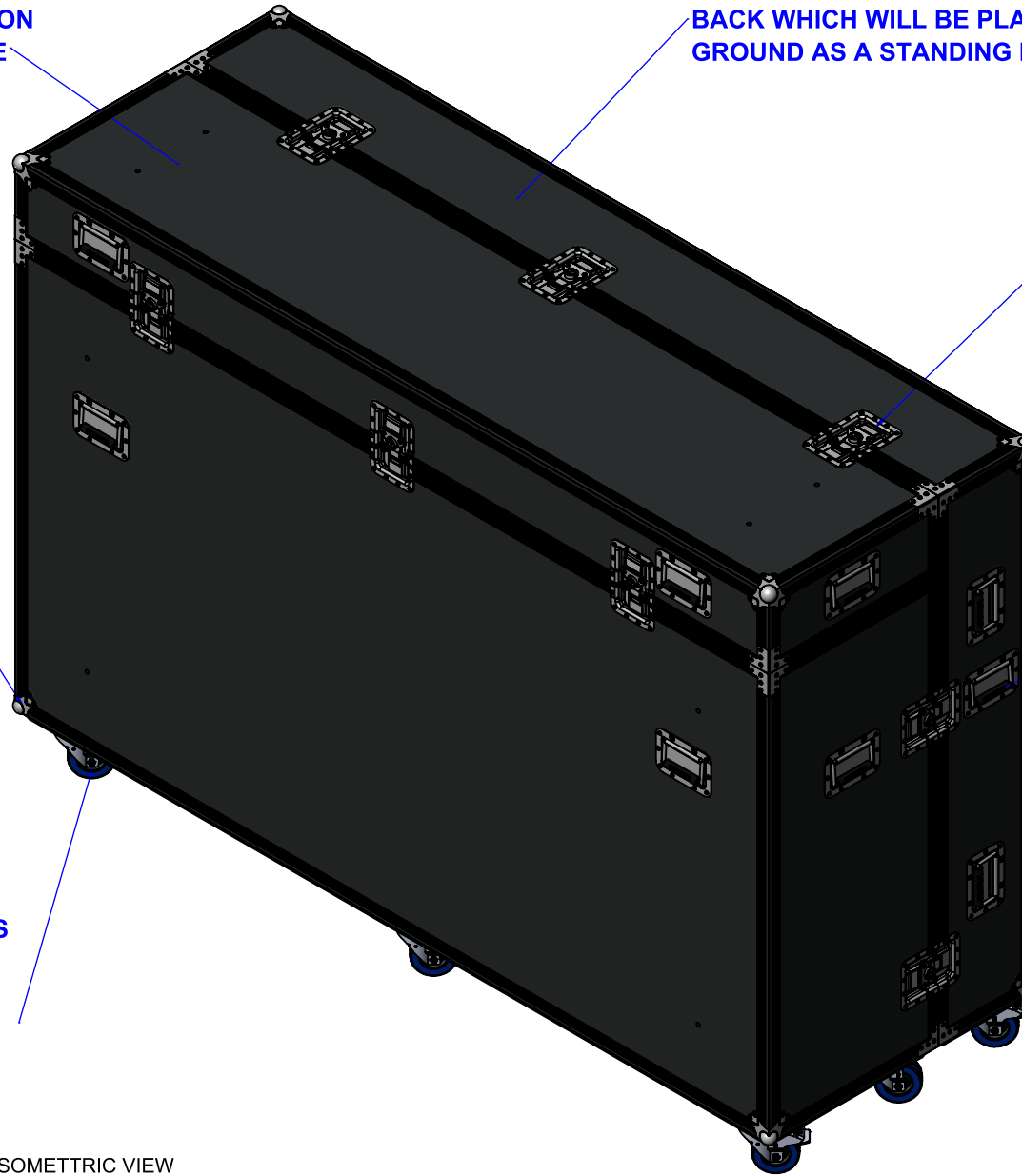
8X LARGE ENCORE BALL CORNERS TO FURTHER PROTECT THE CASE WHILST HANDLING OR DURING TRANSIT


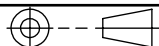
18X ENCORE STYLE RECESSED SPRING LOADED HANDLES FOR EASY MANEUVERABILITY OF LID, FRONT AND BACK

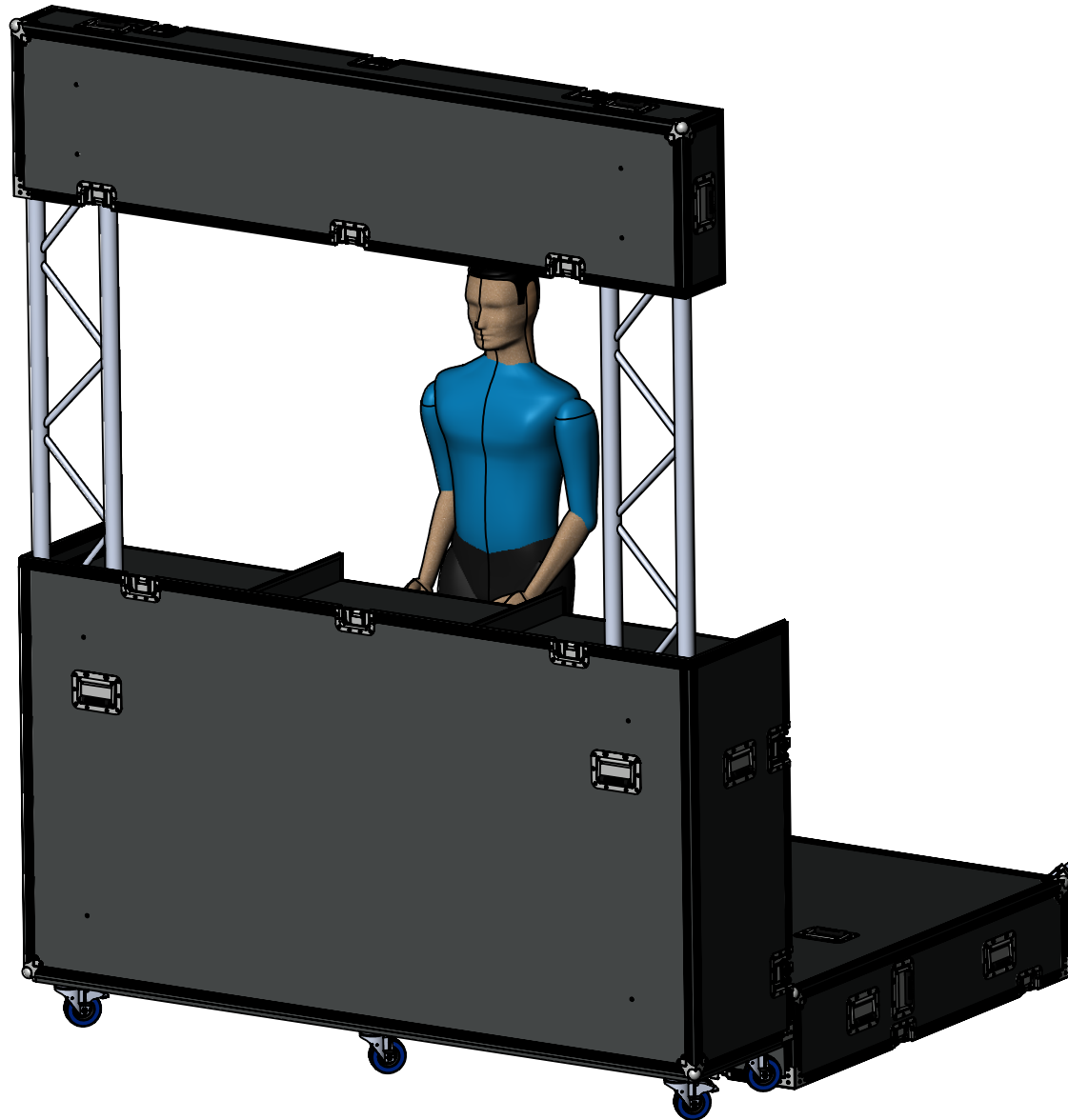
10X PENN ELCOM CASTOR WHEELS

4X BRAKED WHEELS  
6X NON-BRAKED WHEELS


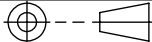
ISOMETTRIC VIEW



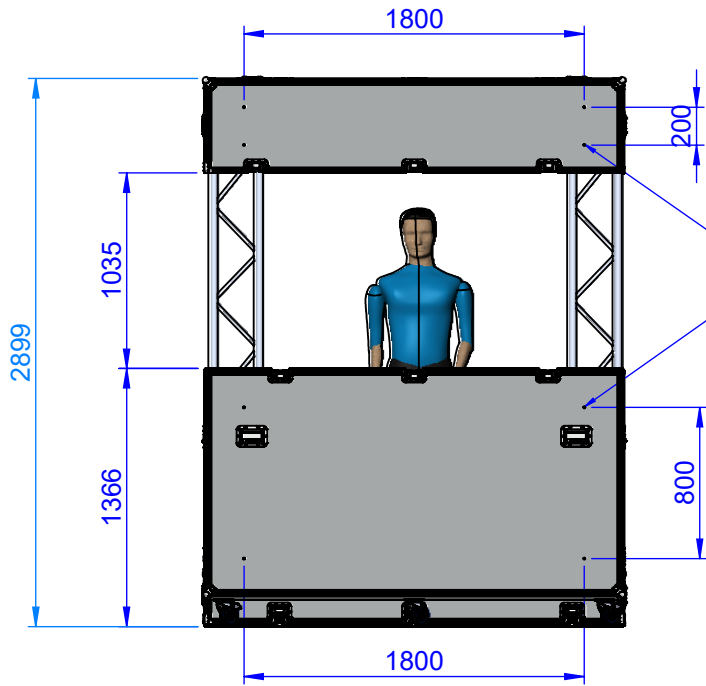
REV	DESCRIPTION	BY	DATE	DRAWN BY		DATE	DRAWING	CLIENT		
				DH	DH	22/01/2019	MF RC-Y179	TEG DAINTY		
				CHECKED BY			CUSTOM EMINEM MERCHANDISE STAND			
				MATERIAL						
				WEIGHT kg			SCALE			
				212		1 OF 4	1:50			
				 <p>THIS DRAWING AND INFORMATION CONTAINED HEREON IS NOT TO BE REPRODUCED IN WHOLE OR PART, NOT TO PUT TO ANY USE WITHOUT THE EXPRESS PERMISSION OF DESIGN QUINTESSENCE PTY LTD © 2018</p> <p>DESIGN QUINTESSENCE PTY LTD UNIT 2, 15 PERCY STREET AUBURN NSW 2144 TEL +61 2 9649 2266 FAX +61 2 9649 2200</p> <p>www.dq.com.au</p>				DRAWING No. 419-006 - TR	REV A	A4



ISOMETRIC VIEW - OPENED STATE

REV	DESCRIPTION	BY	DATE					CLIENT:
				 <p>THIS DRAWING AND INFORMATION CONTAINED HEREON IS NOT TO BE REPRODUCED IN WHOLE OR PART, NOT TO PUT TO ANY USE WITHOUT THE EXPRESS PERMISSION OF DESIGN QUINTESSENCE PTY LTD © 2018</p> <p><b>DESIGN QUINTESSENCE PTY LTD</b> UNIT 2, 15 PERCY STREET AUBURN NSW 2144 TEL +61 2 9649 2266 FAX +61 2 9649 2200</p> <p>www.dq.com.au</p>	DRAWN BY DH	DATE 22/01/2019	DRAWING: MF RC-Y179	<b>TEG DAINTY</b>
				CHECKED BY	DATE	CUSTOM EMINEM MERCHISE STAND		
				MATERIAL	COLOUR	SCALE 1:50		DRAWING No. 419-006 - TR
				WEIGHT kg 212	SHEET 2 OF 4		REV A	A4

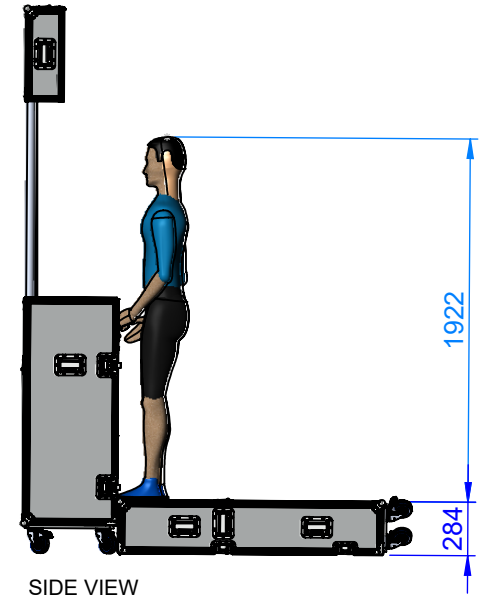




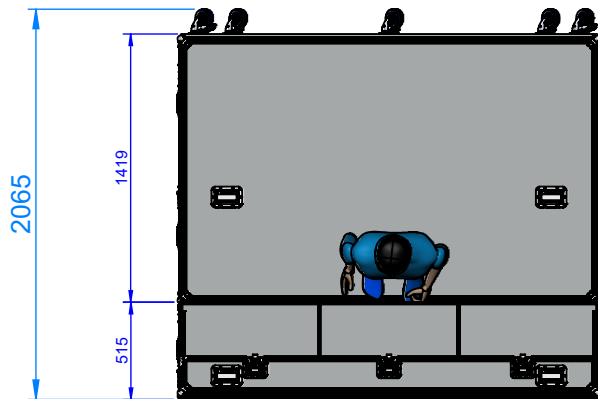
FRONT VIEW

T-NUT FOR SIGNAGE POSITIONING

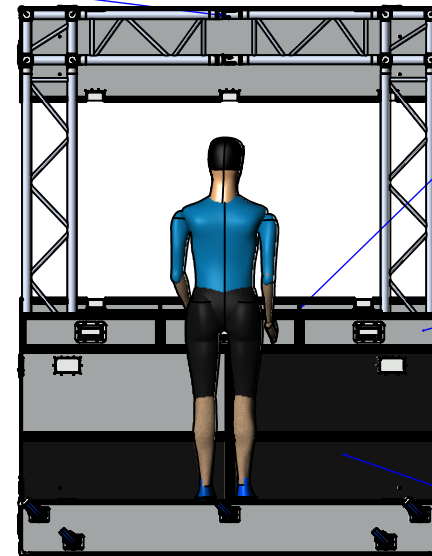
HINGE CONNECTORS TO ALLOW TRUSS STRUCTURE TO BE FOLDED AND STORED WITHIN THE CASE



SIDE VIEW



TOP VIEW



BACK VIEW

DIVIDERS ON TOP SHELF FOR TICKET DISTRIBUTION

3X SLIDE DRAWERS

4X LARGE SHELVES/POCKETS FOR MERCHANISES

REV	DESCRIPTION	BY	DATE



THIS DRAWING AND INFORMATION CONTAINED HEREON IS NOT TO BE REPRODUCED IN WHOLE OR PART, NOT TO PUT TO ANY USE WITHOUT THE EXPRESS PERMISSION OF DESIGN QUINTESSENCE PTY LTD © 2018  
**DESIGN QUINTESSENCE PTY LTD**  
 UNIT 2, 15 PERCY STREET  
 AUBURN NSW 2144  
 TEL +61 2 9649 2266  
 FAX +61 2 9649 2200

www.dq.com.au

DRAWN BY	DH	DATE	22/01/2019
CHECKED BY		DATE	
MATERIAL		COLOUR	
WEIGHT kg	212	SHEET	4 OF 4

DRAWING	MF RC-Y179
CUSTOMER	CUSTOM EMINEM MERCHANISE STAND
SCALE	1:50

CLIENT:	TEG DAINTY		
DRAWING No.	419-006 - TR	REV	A
			A4